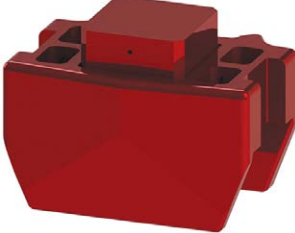
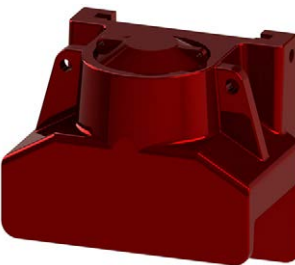
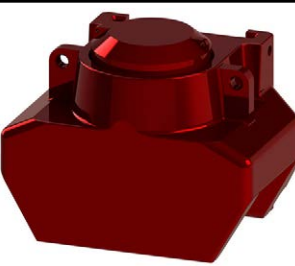





\*All weights are approximate

<b>P-505</b>					
	#	Assembly	Qty	*Weight lbs.	Accessories
	500013	Sheet Pile Helmet	1	1,360	steel cable 2
	500302	striker plate, sq 13"x6"	1	285	910-CBCP-12MM cable clamp 2
	500151	aluminium cushion sq 13"x1/2"	3	33 (for 3)	210-41981 clip 1-1/4" 1
	500101	phenolic cushion sq 13"x1"	2	24 (for 2)	special clamp 210-41766 1
<b>Pile Size: 30.5"x 13.25", Sheet Piles, using Diesel Hammer up to D19-42</b>			<b>Total Weight: 1,702 approx.</b>		
<b>P-524</b>					
	500013 HD1	Sheet Pile Helmet	1	1,900	steel cable 2
	500300	Striker plate, Ø 13"x4"	1	119	cable clamp 2 910-CBCP-12MM
	500172	aluminium cushion Ø 13"x1/2"	3	33 (for 3)	clip 1-1/2" 1 210-41980
	500122	phenolic cushion Ø 13"x1"	2	24 (for 2)	special clamp 1 210-41949
<b>Pile Size: 30" x 12.5", Sheet Piles, using Diesel Hammer larger then D19-42</b>			<b>Total Weight: 2,076 approx.</b>		
<b>P-525</b>					
	500013 HD2	Sheet Pile Helmet	1	3,280	steel cable 2
	500307	striker plate, Ø 17"x6"	1	330	cable clamp 2 910-CBCP-12MM
	500157	aluminium cushion Ø 17"x1/2"	3	33 (for 3)	clip 1-1/2" 1 210-41980
	500107	phenolic cushion Ø 17"x1"	2	24 (for 2)	special clamp 1 210-41949
<b>Pile Size: 38" x 14.5", Sheet Piles, using Diesel Hammer larger then D19-42</b>			<b>Total Weight: 3,667 approx.</b>		
<b>P-526</b>					
	500013-HD5	Sheet Pile Helmet	1	4,380	steel cable 2
	500308-HD	striker plate, Ø 19"x7"	1	507	cable clamp 2 910-CBCP-12MM
	500158	aluminium cushion Ø 19"x1/2"	3	42 (for 3)	clip 1-1/2" 1 210-41980
	500108	phenolic cushion Ø 19"x1"	2	38 (for 2)	special clamp 1 210-41949
<b>Pile Size: 52" x 19", Sheet Piles, using Diesel Hammer larger then D19-42</b>			<b>Total Weight: 4,967 approx.</b>		

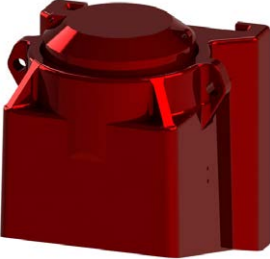
\*All weights are approximate

<b>P-520</b>					
	#	Assembly	Qty.	*Weight lbs	Accessories
	500012-HD	12" Square Concrete Helmet	1	1250	steel cable 2
	500300	striker plate, Ø 13" x 4"	1	119	cable clamp 2 910-CBCP-12MM
	500172	aluminium cushion Ø 13" x 1/2"	3	33 (for 3)	clip 1-1/2" 1 210-41980
	500122	phenolic cushion Ø 13" x 1"	2	24 (for2)	special clamp 1 210-41949


**Pile Size: sq. 12", Concrete Piles, Pipe Piles, and H-beams, using Diesel Hammer larger then D19-42  
Total Weight: 1,426 approx.**

<b>P-521</b>					
	500014 HD	14" Square Concrete Helmet	1	1400	steel cable 2
	500300	striker plate, Ø 13" x 4"	1	119	cable clamp 2 910-CBCP-12MM
	500172	aluminium cushion Ø 13" x 1/2"	3	33 (for 3)	clip 1-1/2" 1 210-41980
	500122	phenolic cushion Ø 13" x 1"	2	24 (for 2)	special clamp 1 210-41949

**Pile Size: square 14", Concrete Piles, Pipe Piles, and H-beams, using Diesel Hammer larger then D19-42  
Total Weight: 1,576 approx.**

<b>P-522</b>					
	500016 HD	16" Square Concrete Helmet	1	1,700	steel cable 2
	500307	striker plate, Ø17"x6"	1	330	cable clamp 2 910-CBCP-12MM
	500157	aluminium cushion Ø17"x1/2"	3	33 (for 3)	clip 1-1/2" 1 210-41980
	500107	phenolic cushion Ø17"x1"	2	24 (for 2)	special clamp 1 210-41949

**Pile Size: square 16", Concrete Piles, Pipe Piles, and H-beams, using Diesel Hammer larger then D19-42  
Total Weight: 2,087 approx.**

<b>P-523</b>					
	500020 HD	20" Square Concrete Helmet	1	2,150	steel cable 2
	500307	striker plate, Ø17"x6"	1	330	cable clamp 2 910-CBCP-12MM
	500157	aluminium cushion Ø17"x1/2"	3	33 (for 3)	clip 1-1/2" 1 210-41980
	500107	phenolic cushion Ø17"x1"	2	24 (for 2)	special clamp 1 210-41949

**Pile Size: square 20", Concrete Piles, Pipe Piles, and H-beams, using Diesel Hammer larger then D19-42  
Total Weight: 2,537 approx.**