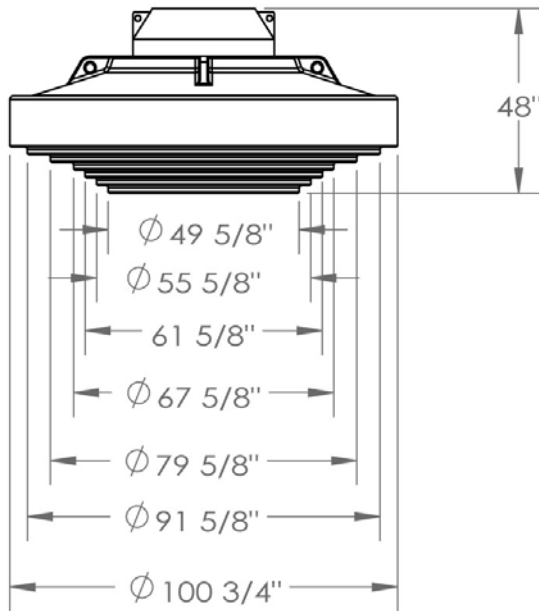
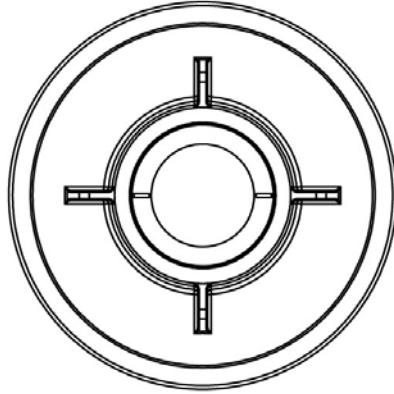



P-528 98" Large Diameter Step Drive Plate Assembly & Diagram



All weights are approximate

P-528 98" LARGE DIAMETER STEP DRIVE PLATES

	410474	98" Step Drive Plates Diameter	1	46,578	steel cable 2
	500335-B	striker plate, $\phi 37$ " x 16"	1	4,217	(910-CBCP-12MM) cable clamp 2
	500165	aluminium cushion, $\phi 37$ " x 1/2"	3	159 (for 3)	
	500115	phenolic cushion, $\phi 37$ " x 1"	2	142 (for 2)	
				Total: 51,096 lbs	

Pipe Pile Size: 54", 60", 66", 72", 84", 96" 98" ϕ

OS Type Lead : 10098