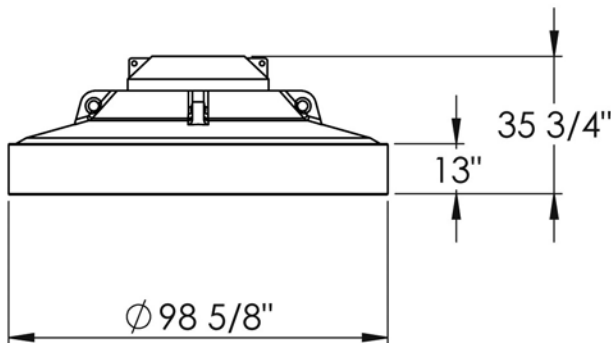
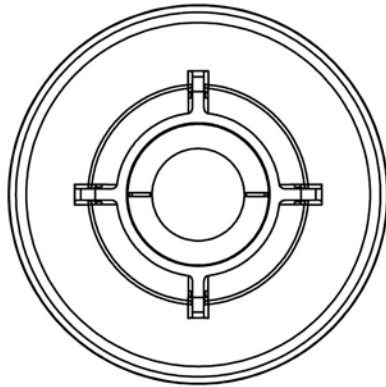



P-517 98" Large Diameter Drive Plate Assembly & Diagram



P-517 98" Offshore Male Helmets Assembly

All weights are approximate

	#	Assembly	Qty	Weights lbs.	
	410454	98" Drive Plates Diameter	1	38,400	steel cable 2
	500335-B	striker plate, $\phi 37"$ x 16"	1	4,217	(910-CBCP-12MM) cable clamp 2
	500165	aluminium cushion, $\phi 37"$ x 1/2"	3	159 (for 3)	
	500115	phenolic cushion, $\phi 37"$ x 1"	2	142 (for 2)	
				Total:	
				42,918 lbs	

Pipe Pile Size: Up to 98-1/2"Ø , Use guide shoes for Ø 66", 72", 84", 96"

OS Type Lead: OS 98

PILECO