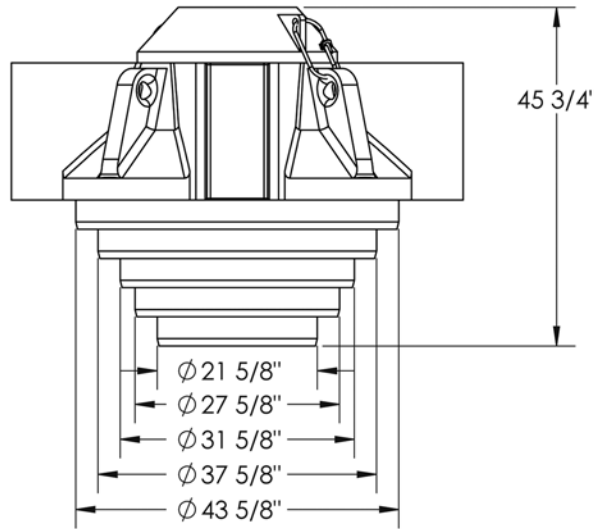
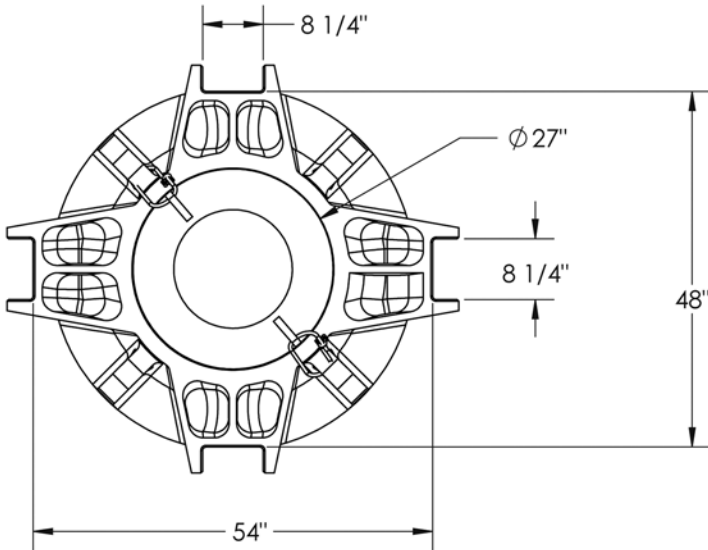



P-515 48" Offshore Male Helmet Assembly & Diagram



P-515 48" Offshore Male Helmets Assembly

	#	Assembly	Qty.	Weights lbs. Approx.	Accessories
	410452	Male type Offshore Helmet	1	14,400	steel cable 2
500330	striker plate, Ø 27"x12"	1	1,532	(910-CBCP-12MM) cable clamp 2	
500160	aluminium cushion, Ø 27"x1/2"	3	84 (for 3)		
500110	phenolic cushion, Ø 27"x1"	2	76 (for 2)		
				Total: 16,092 lbs approx.	

Pipe Pile Size: 24" x 1", 30" x 1", 36" x 2", 42" x 2", 48" x 2" **U-Lead Size:** 48.5" x 8", 54.5" x 8"