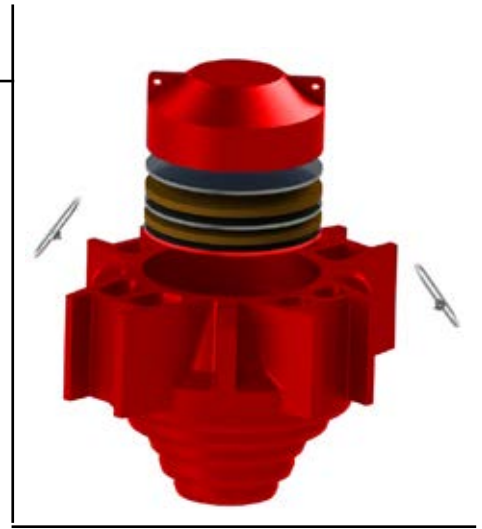
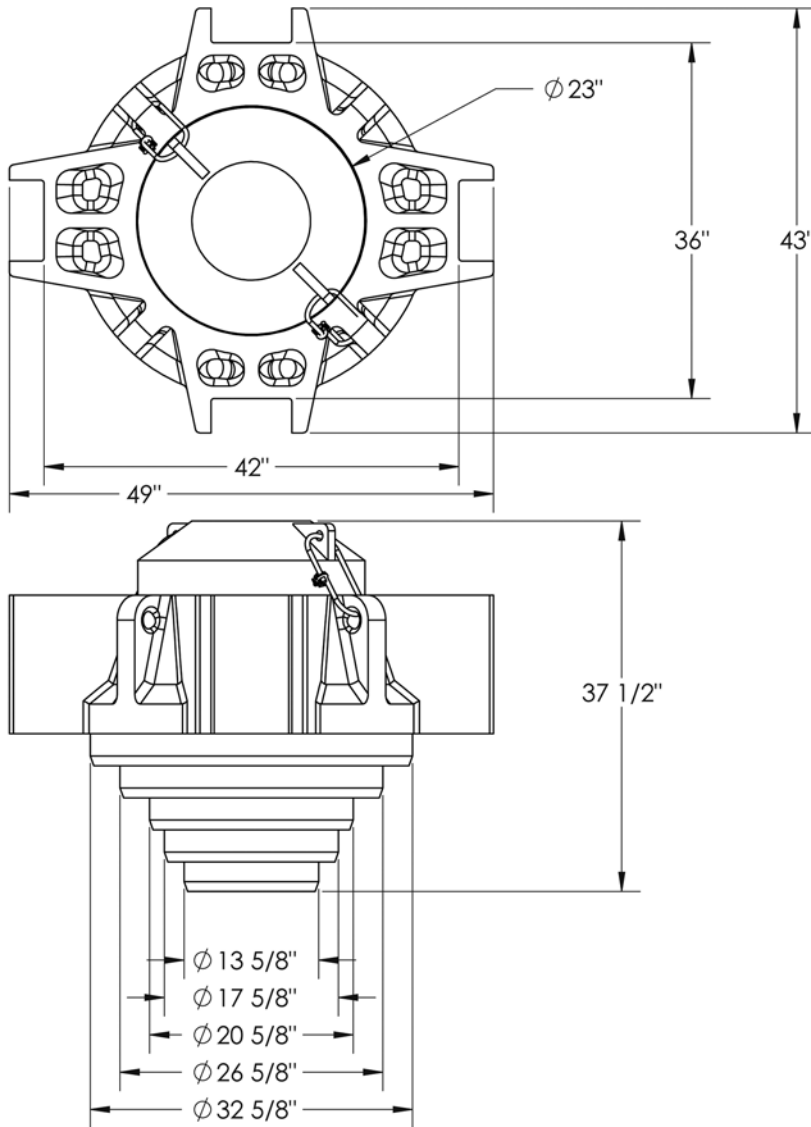



## P-514 36" Offshore Male Helmet Assembly & Diagram



### P-514 36" Offshore Male Helmets Assembly

	#	Assembly	Qty	Weights lbs. <b>Approx.</b>	Accessories
	410455	Male type Offshore Helmet	1	6,300	steel cable 2
	500315	striker plate, Ø 23"x10"	1	974	(910-CBCP-12MM) cable clamp 2
	500159	aluminium cushion, Ø 23"x1 1/2"	3	63 (for 3)	
	500109	phenolic cushion, Ø 23"x1"	2	56 (for 2)	
				<b>Total: 7,393 lbs approx.</b>	

**Pipe Pile Size:** 16"x 1", 20"x 1" 24"x 1-1/2", 30" x 1-1/2", 36" x 1-1/2" **U-Lead Size:** 36.5" x 8", 42.5" x 8"