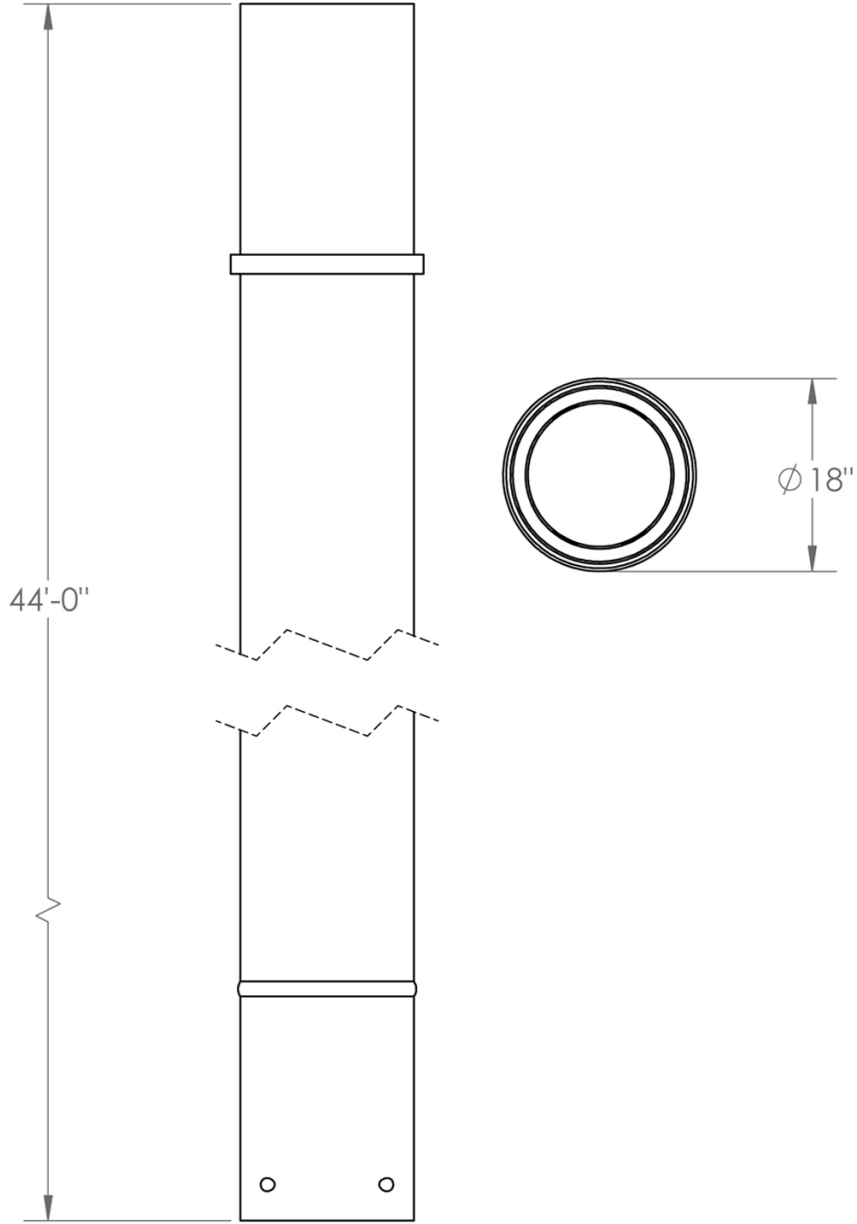


18" X 40 FT FOLLOWER PIPE ASSEMBLY

18" X 40 FT FOLLOWER PIPE ASSEMBLY

8001428	Used for various helmet inserts	12,076.64 lbs Approx
---------	---------------------------------	-----------------------------