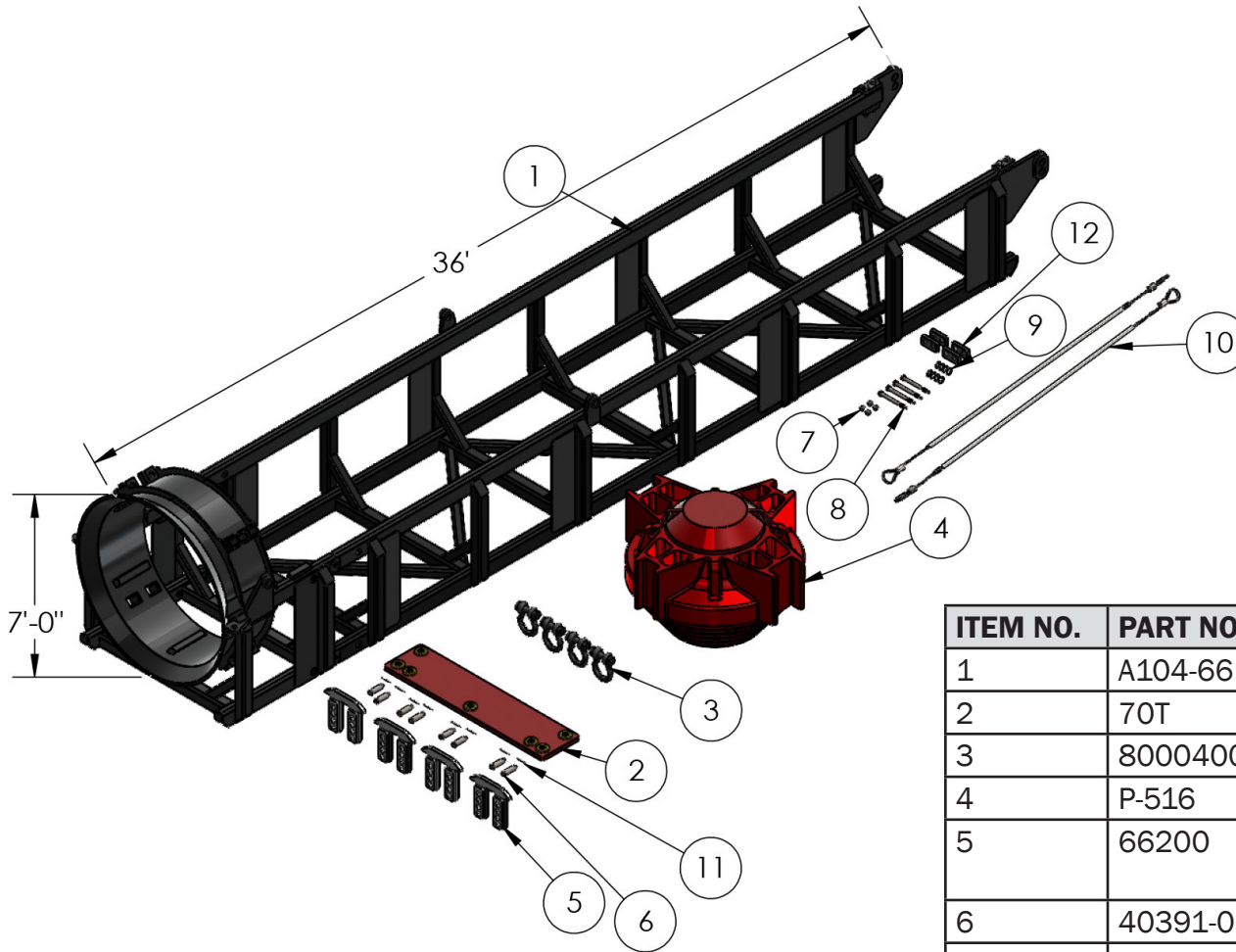


P-704

A104-66 OFFSHORE LEAD COMPLETE



ITEM NO.	PART NO.	DESCRIPTION	QTY.	WEIGHT
1	A104-66	A104-66 OFFSHORE LEAD	1	13,880
2	70T	70 TON BRIDLE BAR	1	900
3	8000400	35 TON SHACKLE	4	209
4	P-516	66" HELMET ASSEMBLY	1	29,981
5	66200	GUIDE SHOE ASSEMBLY 60,54,48,42	4	468
6	40391-01	GUIDE SHOE PIN	8	48
7	8000514	1 1/4-7 NYLON INSERT LOCKNUT	4	4
8	8000516	1 1/4-7 X 13 HEX HEAD CAP- SCREW GR 8	4	21
9	8000517	1 1/4 FLATWASHER	8	2
10	8000984	2" X 13.5 FT WIRE ROPE	2	243
11	90748	10MM X 90MM COTTER PIN	8	1
12	48032	A104-88/66 STOP BLOCK UPPER	4	48

TOTAL WEIGHT APPROX: 45,805