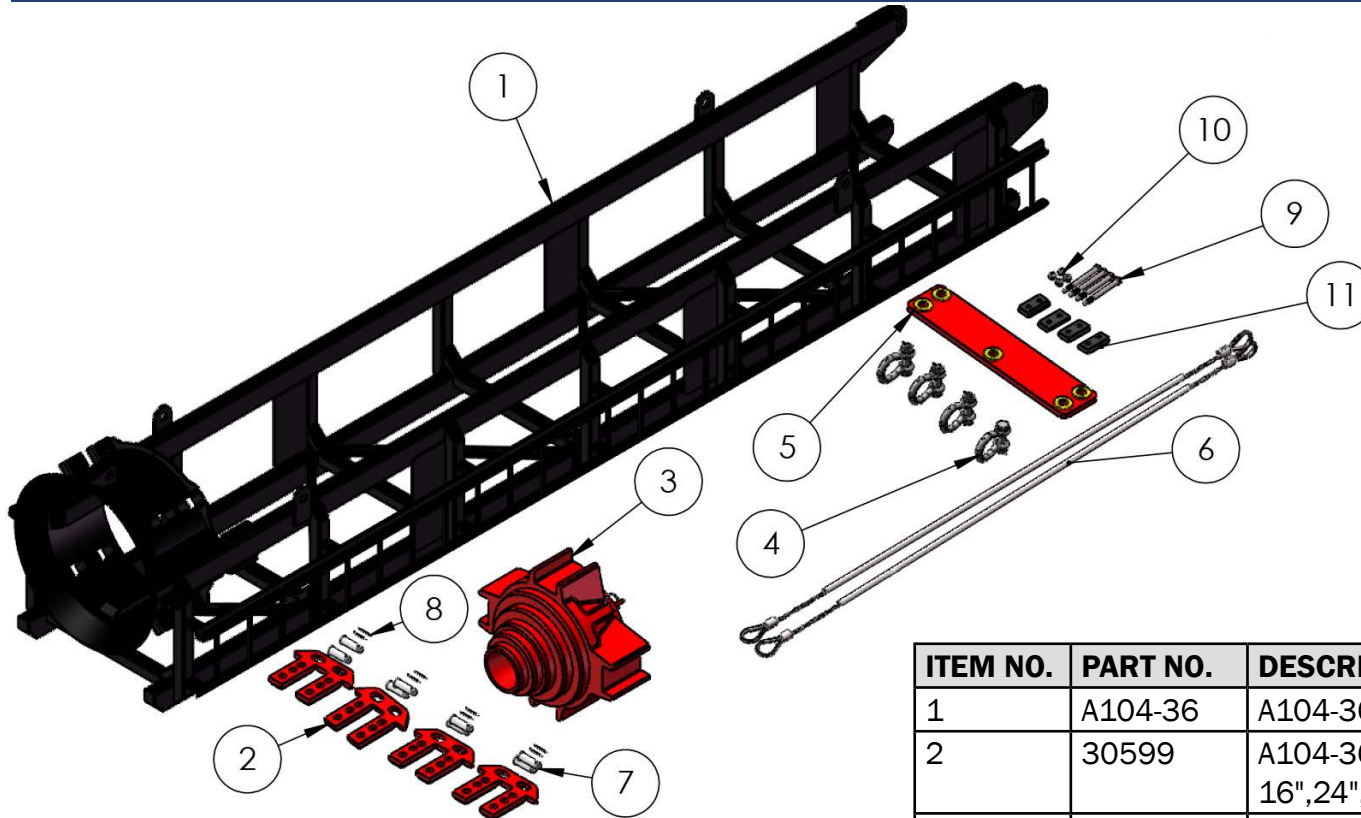


P-700 A104-36 OFFSHORE LEAD COMPLETE



ITEM NO.	PART NO.	DESCRIPTION	QTY.	WEIGHT
1	A104-36	A104-36 OFFSHORE LEAD	1	7,000
2	30599	A104-36 GUIDE SHOE TO FIT 16",24",30"	4	349
3	P-514	P-514 HELMET ASSEMBLY	1	7,393
4	8000757	25 TON SHACKLE	4	18
5	50T	50 TON BRIDLE	1	349
6	8001898	WIRE ROPE SLING 1 1/2" X 14', 21TON VERTICAL PULL 6 X 37, (CBL)	2	110
7	40391-01	LEAD GUIDE SHOE PIN	8	49
8	90748	10MM X 90MM COTTER PIN	8	1
9	8000516	1 1/4-7 X 13 HEX HEAD CAPSCREW GR 8	4	21
10	8000514	1 1/4-7 NYLON INSERT LOCKNUT	4	14
11	06450	STOP BLOCK	4	48

TOTAL WEIGHT: 15,352