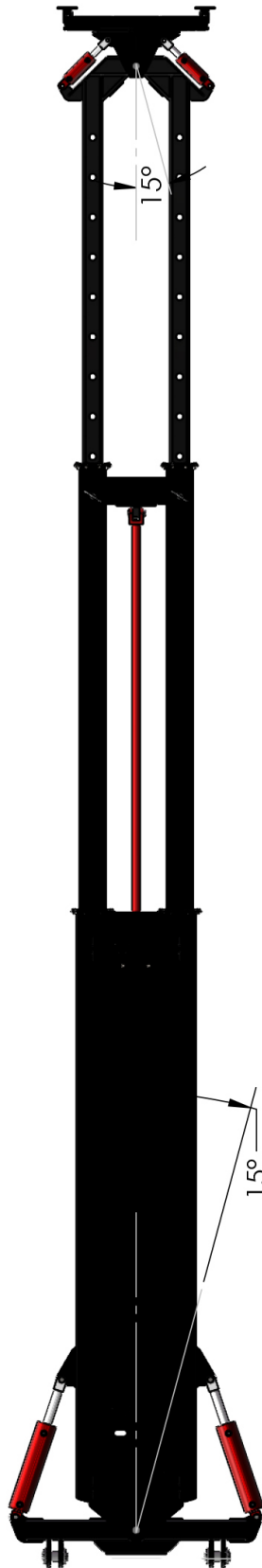
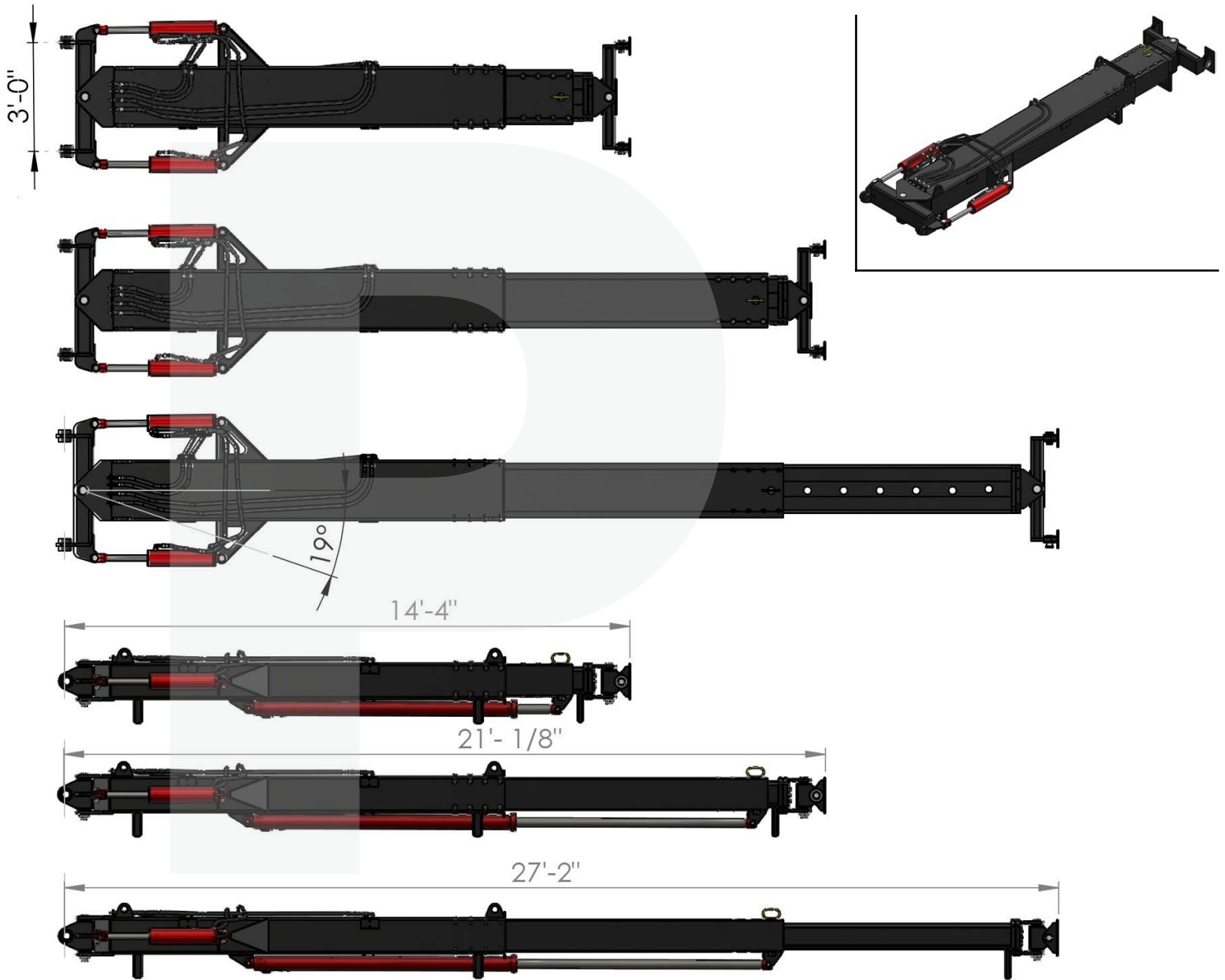




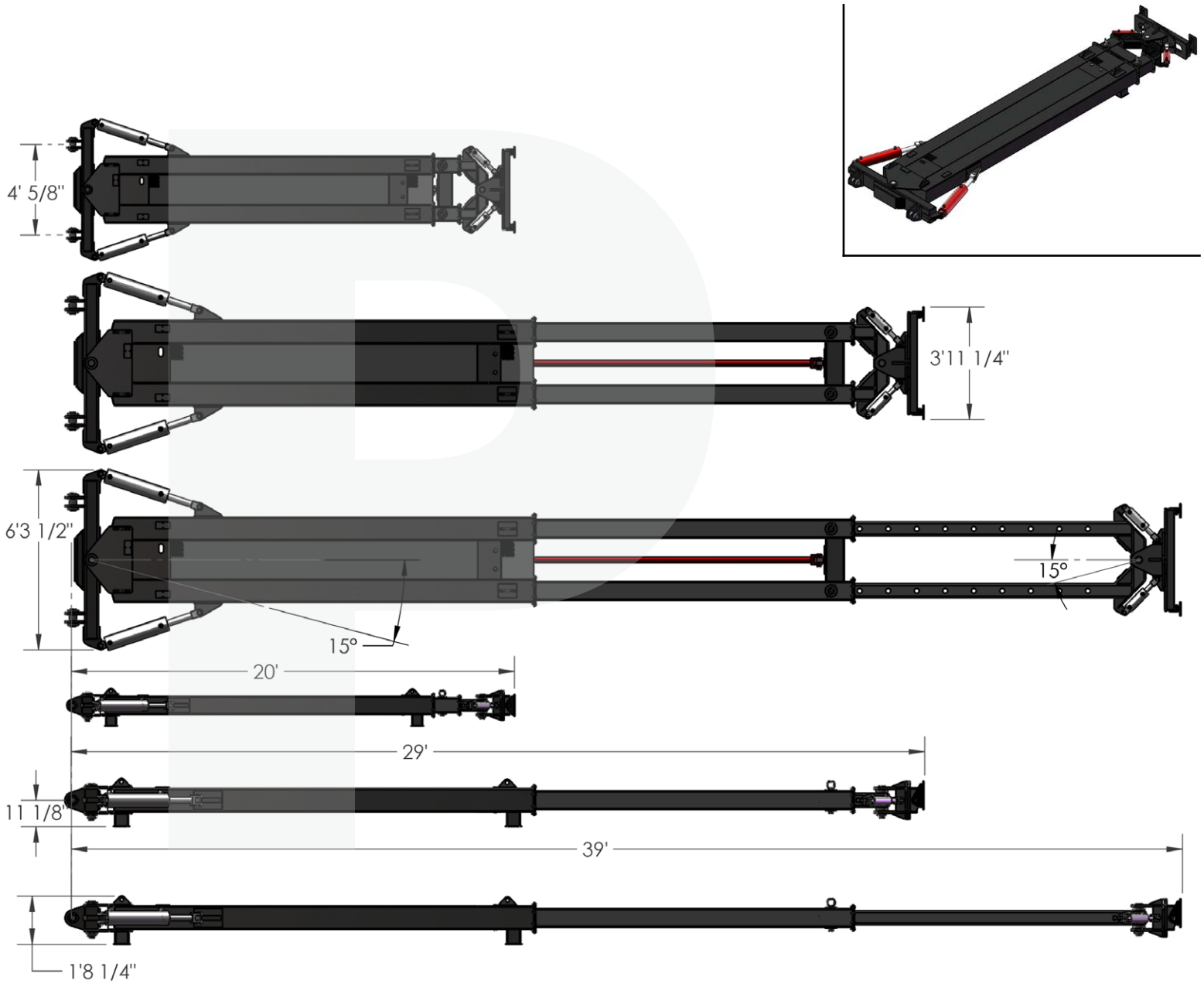
PILECO INC.

SPOTTER DIMENSIONS




1200-1 HYDRAULIC/MANUAL SPOTTER

Weight	Retracted	Extended	Swing
4,500 lbs approx.	14'4"	27'(HYDRAULIC 6'8" / MECHANICAL 6')	2 Axis sideswing each way



HOSE REEL INCLUDED IN OVERALL HEIGHT

2000 HYDRAULIC SPOTTER HEAVY DUTY

Weight	Retracted	Extended	Swing
6,500 lbs approx	20'	39'	Axis Rear Swing Each Way: 15 DEG Front Rotation Each way: 15 DEG