



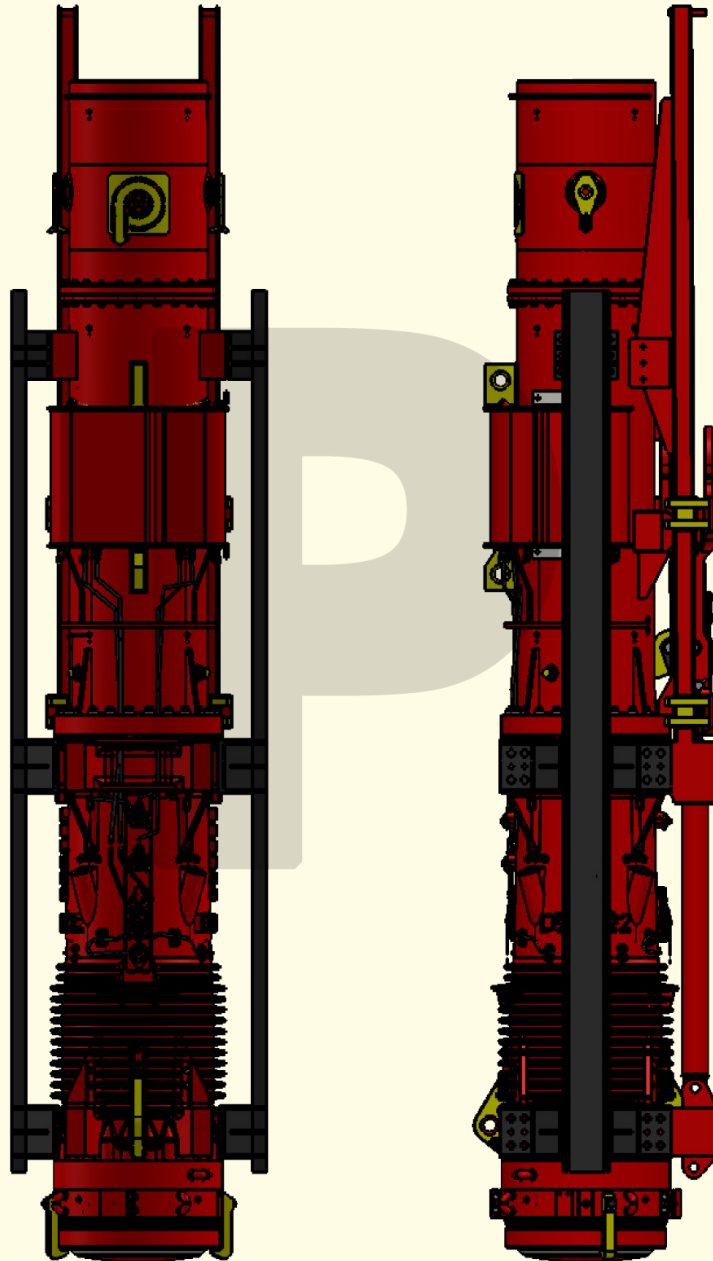
PILECO INC.

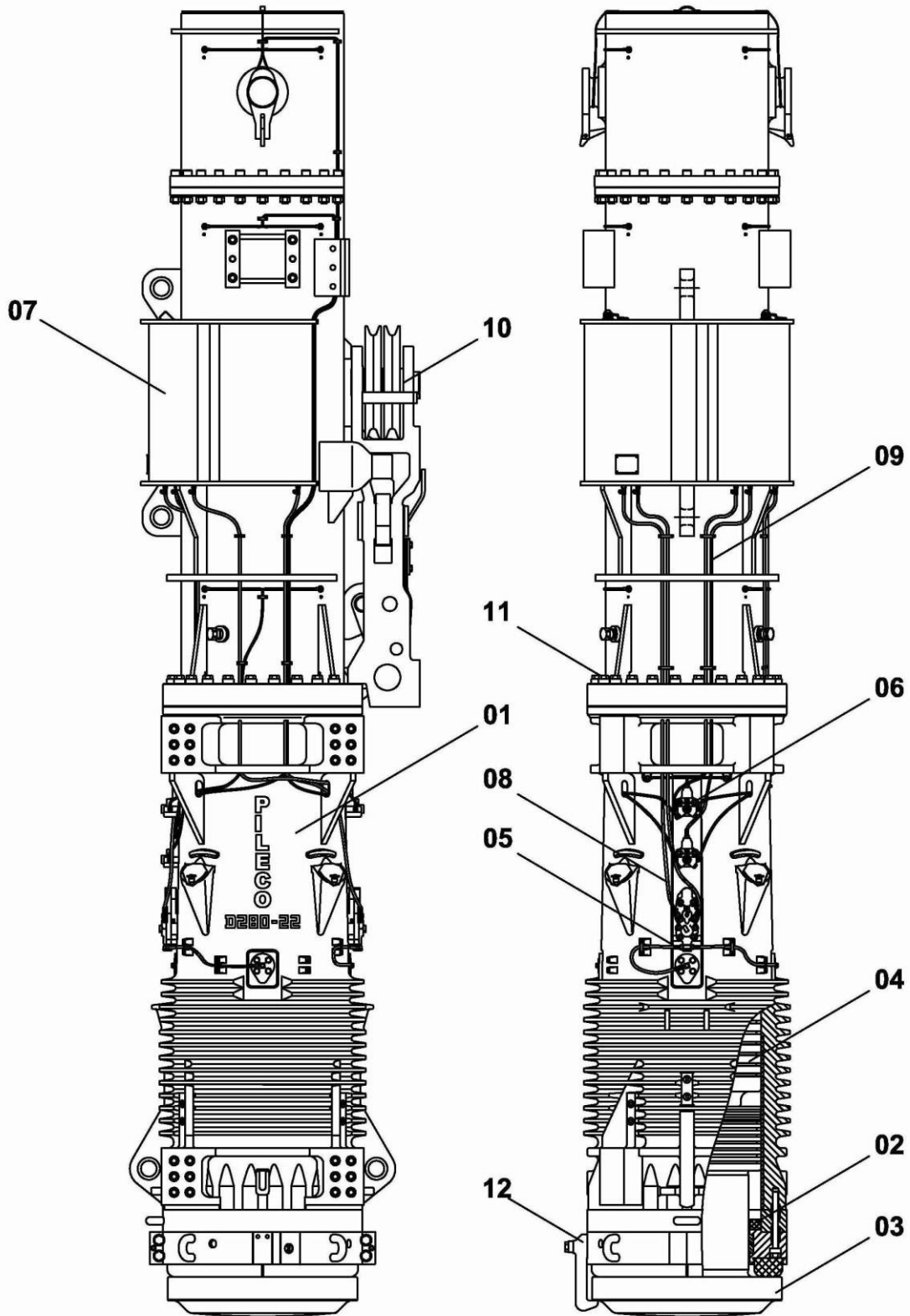
Parts Manual

Diesel Pile Hammer

280-22

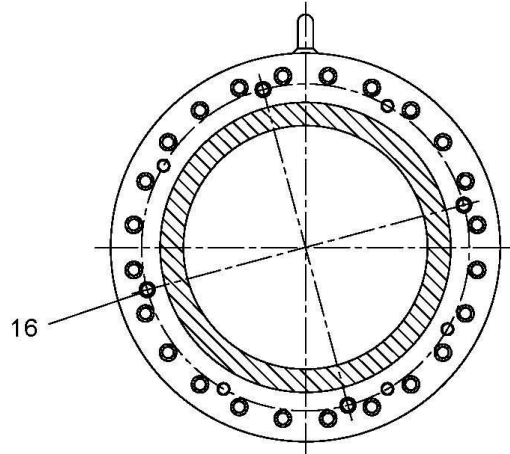
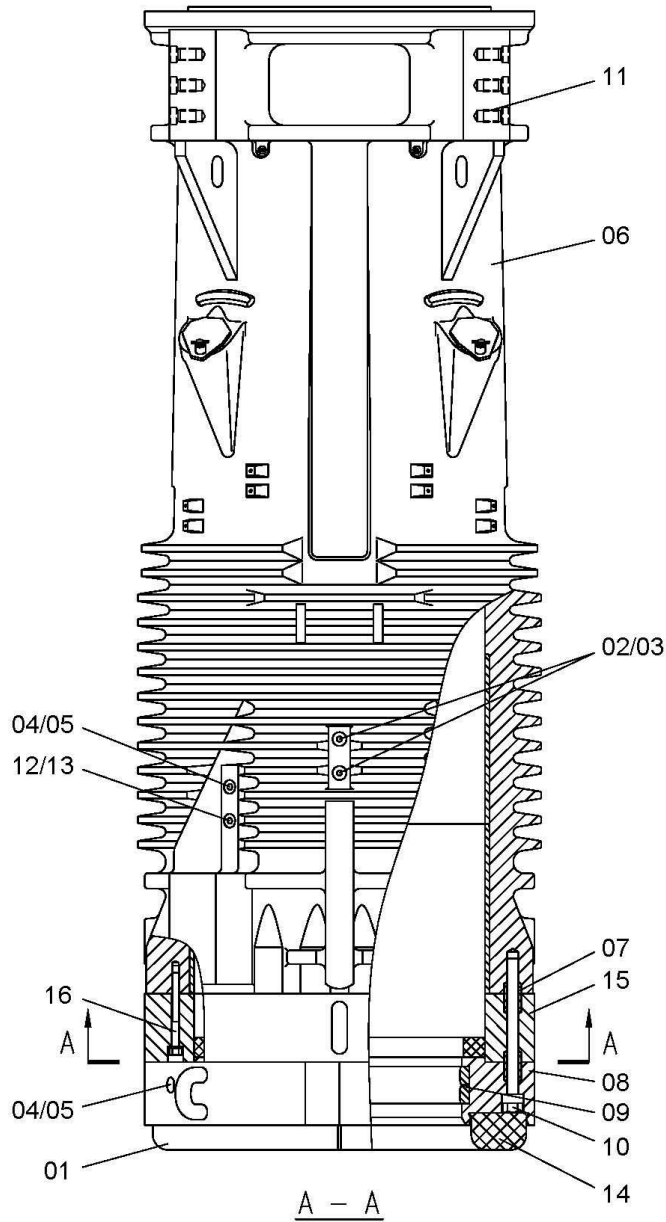
Parts Manual





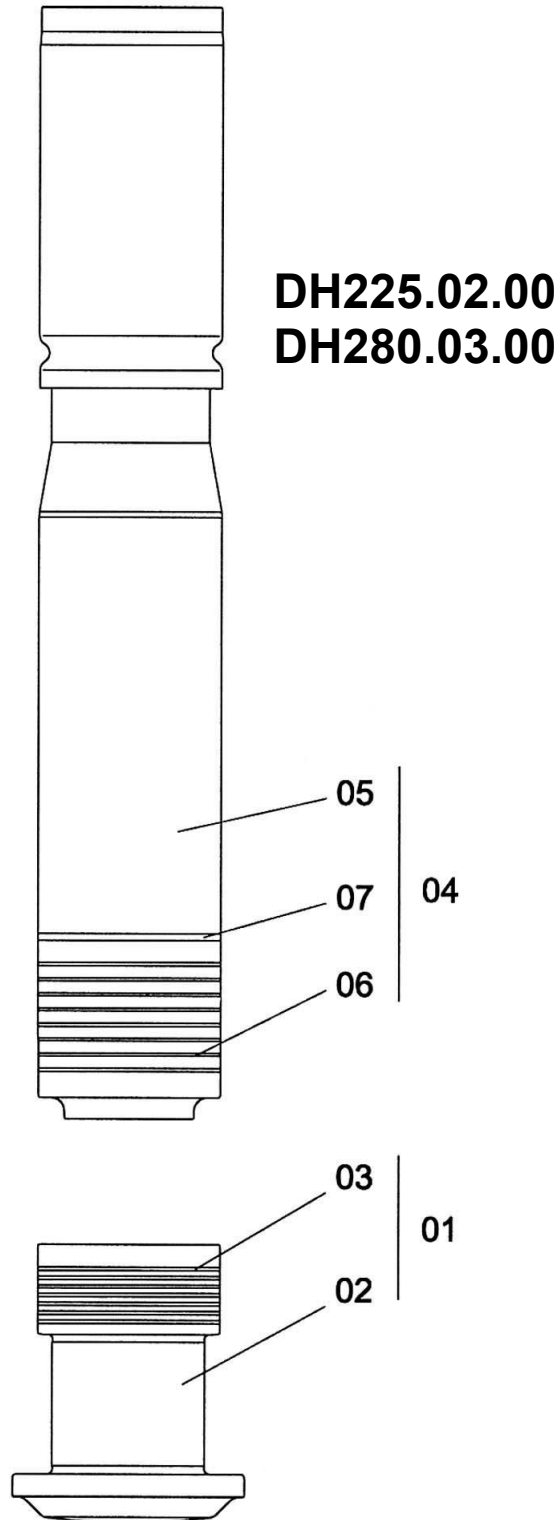
D280-22

No.	Description	Q. ty	Parts – no.
—	Diesel pile hammer D280-22	1	230003
1	cylinder lower part complete page 4	1	230109
2	inner damping ring	1	230002
3	impact block complete page 6	1	230200
4	striking weight(piston)complete page 6	1	230305
5	fuel injection device page 8	2	230401
6	lube pump complete page 14	3	108325
7	cylinder upper part complete page 16	1	230600
8	fuel line/breather line complete page 18	1	230700
9	lube line with connecting parts complete page20	1	230800
10	trip gear complete page 22	1	230900
11	set of connecting parts page 24	1	231000
12	transport protection kit complete page 26	1	231100
13	guide parts for hammer on request	4	
14	gibes parts for trip gear on request	4	
15	tool box complete page 28	1	231400

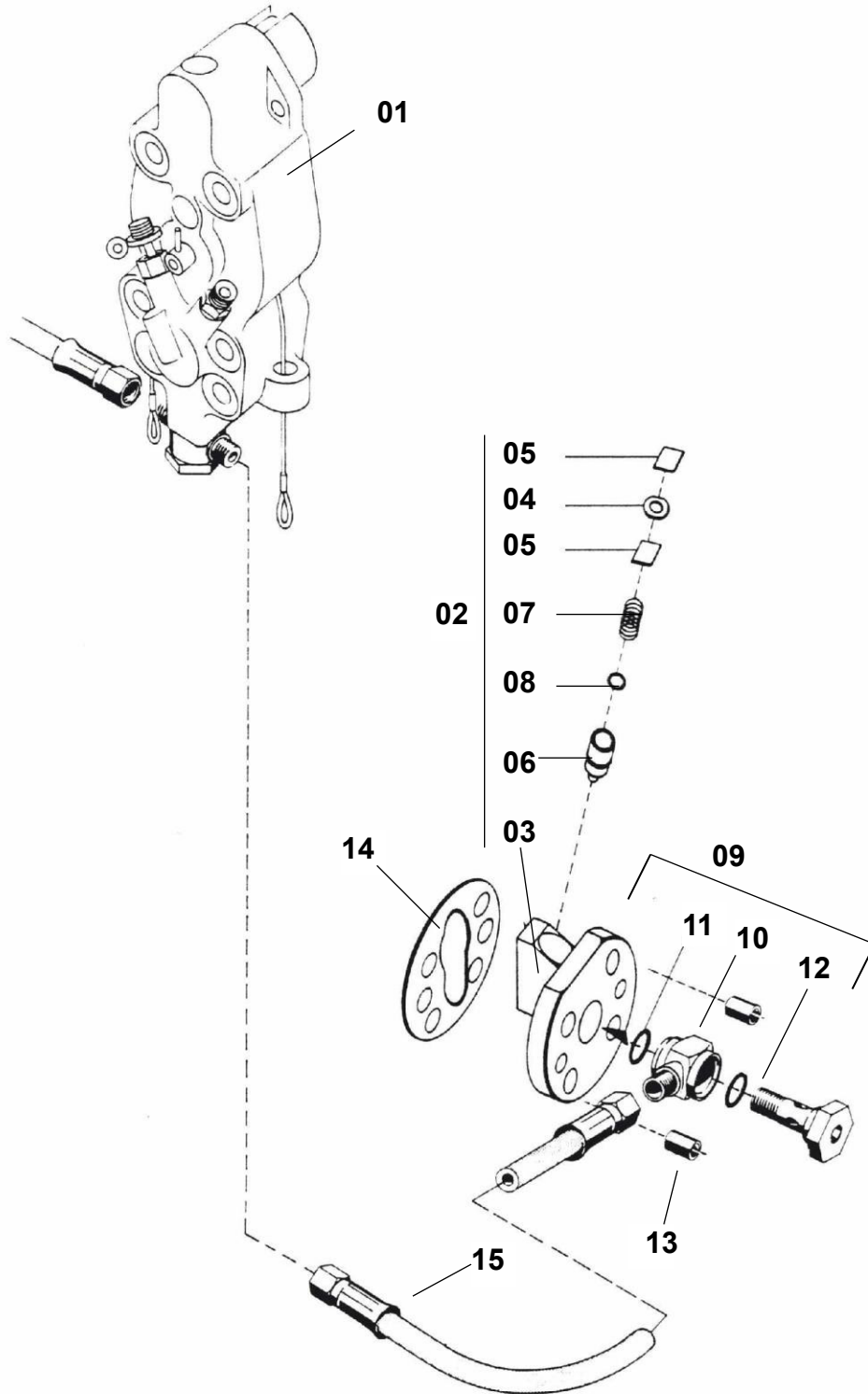


DH280.01.00

No.	Description	Q. ty	Parts – no.
—	cylinder lower part complete	1	230109
1	rubber ring	1	230102
2	plug screw M24×1.5	4	230103
3	sealing ring Φ24	4	230104
4	reducer	8	22592
5	grease nipple M10×1	8	90791
6	cylinder lower part	1	230110
7	dowel pin Φ55×90	56	98807
8	cylinder end ring complete (2 pieces)	1	230106
9	ring(2 pieces)	1	230107
10	reducer screw M36×420	24	230111
11	threaded insert M36	48	93233
12	plug screw M20×1.5	4	92016
13	sealing ring20×24	4	92031
14	ring (2 pieces)	1	230108
15	Trick ring	1	230112
16	reducer screw M24×240	4	230113

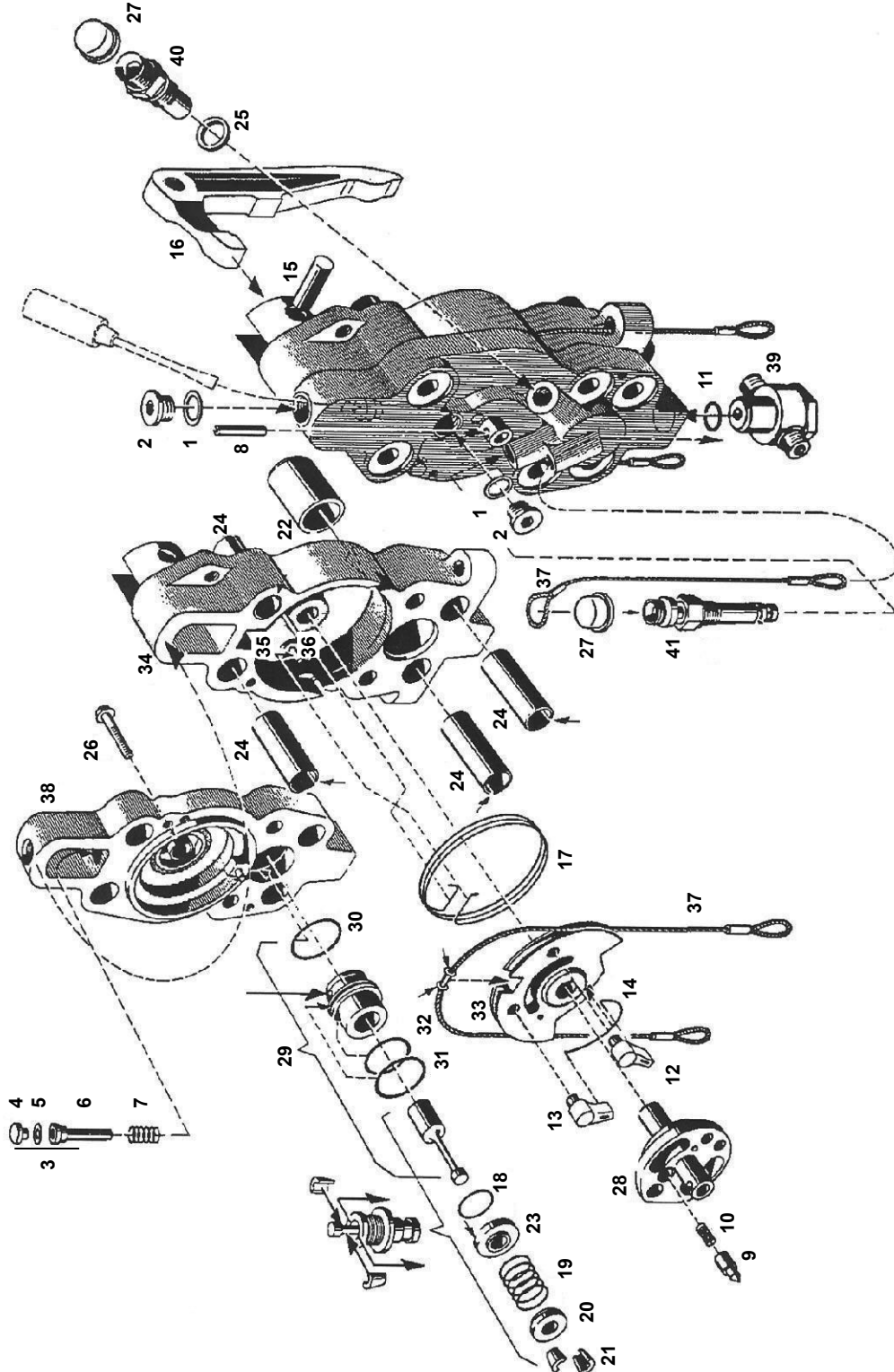


No.	Description	Q. ty	Parts – no.
1	impact block complete	1	230200
2	impact block	1	230201
3	piston ring	7	230202
4	striking weight (piston) complete	1	230305
5	striking weight (piston)	1	230306
6	piston ring	8	230202
7	catch piston ring	1	230304



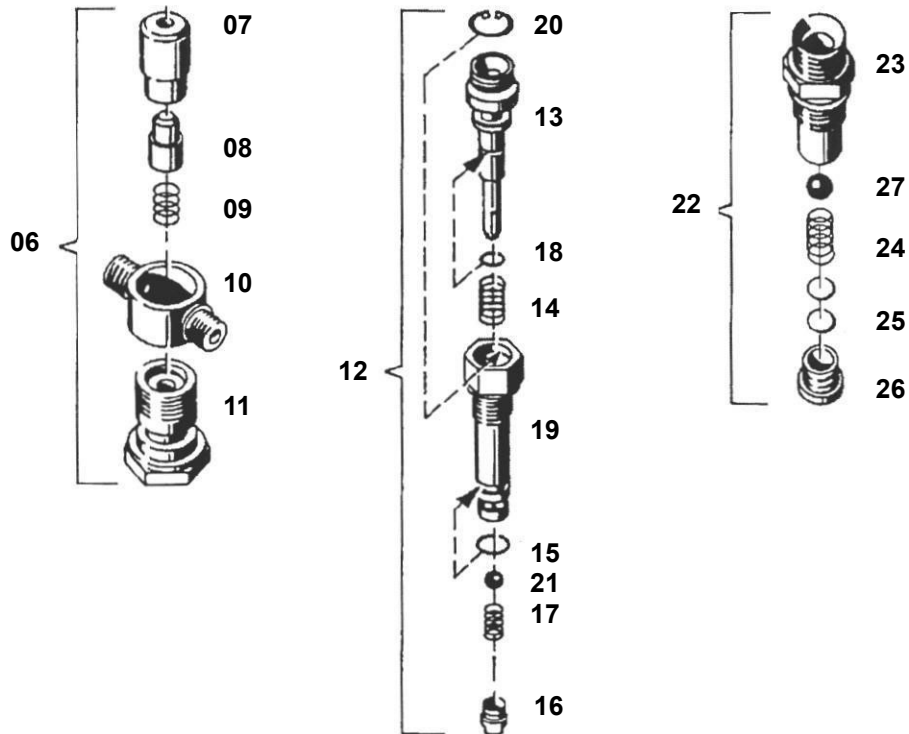
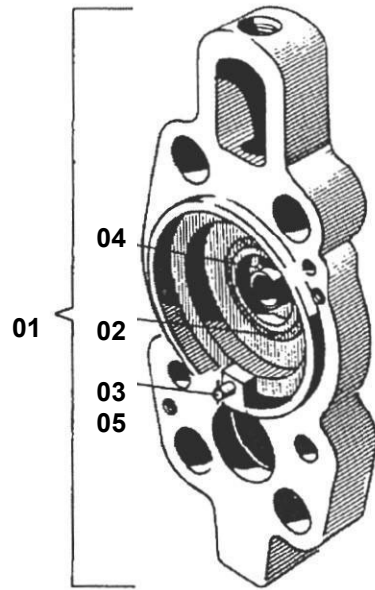
DH250.04.00

No.	Description	Q. ty	Parts – no.
—	fuel injection device	2	230401
1	variable-delivery fuel pump	2	230403
2	injection valve complete	4	230404
3	injection valve body30°	4	230405
4	spring washer	4	64461
5	locking plate	8	64460
6	valve piston	4	63843
7	pressure spring 15.4×32.8×1.6	4	97569
8	adjusting washer	8	97573
9	threaded pipe joint complete	4	97038
10	threaded pipe joint	4	210404
11	round sealing ring17×1.5	8	97258
12	hollow screw	4	210405
13	dowel pin 21×28	8	95633
14	sealing	4	45647
15	high pressure hose0.9m long	4	230406
※	plate	8	207019
※	hexagon screw M8×12	16	93412



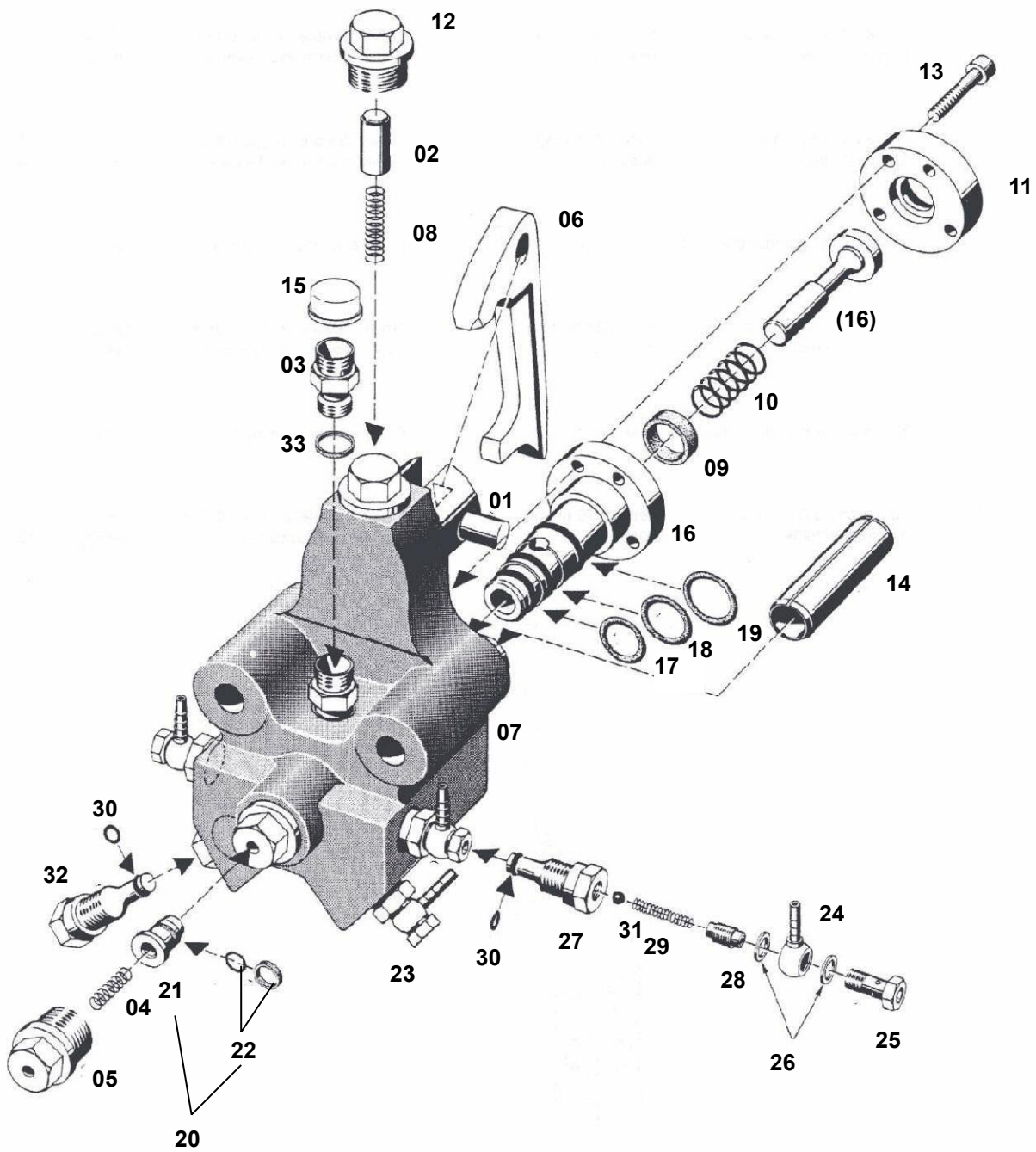
DH250.04.01

No.	Description	Q. ty	Parts - no.
—	variable-delivery fuel pump	2	230403
1	sealing ring A18×22	4	90002
2	plug screw M18×1.5	4	93055
3	pressure piece complete	2	62125
4	push cap	2	62124
5.1	adjusting washer 8.2×19.8×0.3	2	97332
5.2	adjusting washer 8.2×19.8×0.5	2	97333
5.3	adjusting washer 8.2×19.8×0.6	2	97334
5.4	adjusting washer 8.2×19.8×0.4	2	97348
6	push rod	2	62126
7	pressure spring 14.5×34×1	2	22046
8	dowel pin 6×40	2	90150
9	screen pin	2	22049
10	pressure spring 5.5×20×1.2	2	22044
11	round sealing ring 22×3	2	91296
12	cam	2	22052
13	cam	2	22051
14	spring	2	22245
15	pin	2	22043
16	pump lever	2	210409
17	swivel spring	2	22062
18	round sealing ring 48.7×2.65	2	210410
19	pressure spring 28×67.2×3.5	2	22060
20	spring retaining collar	2	22058
21	conical ring 2 pieces	2	22059
22	guide sleeve	2	43287
23	holder ring	2	210411
24	dowel pin 28×80	8	94315
25	sealing ring A25×30	2	210412
26	locking screw M8×50	2	93456
27	protecting cap	4	210413
28	switch shaft	2	43308
29	pump element complete diameter 41mm	2	210415
30	round sealing ring 56×2.65	2	210416
31	round sealing ring 60×2.65	2	210417
32	round sealing ring 56×2.65	2	210416
33	rope disc complete	2	22040
34	pump body complete	2	210419
35	dowel pin 6×28	2	90137
36	dowel pin 5×40	2	90155
37	regulation rope	4	17546
38	pump cover complete page 12	2	210420
39	check-non-return valve complete page 12	2	60827
40	suction valve complete page 12	2	210421
41	stop valve complete page 12	2	210422



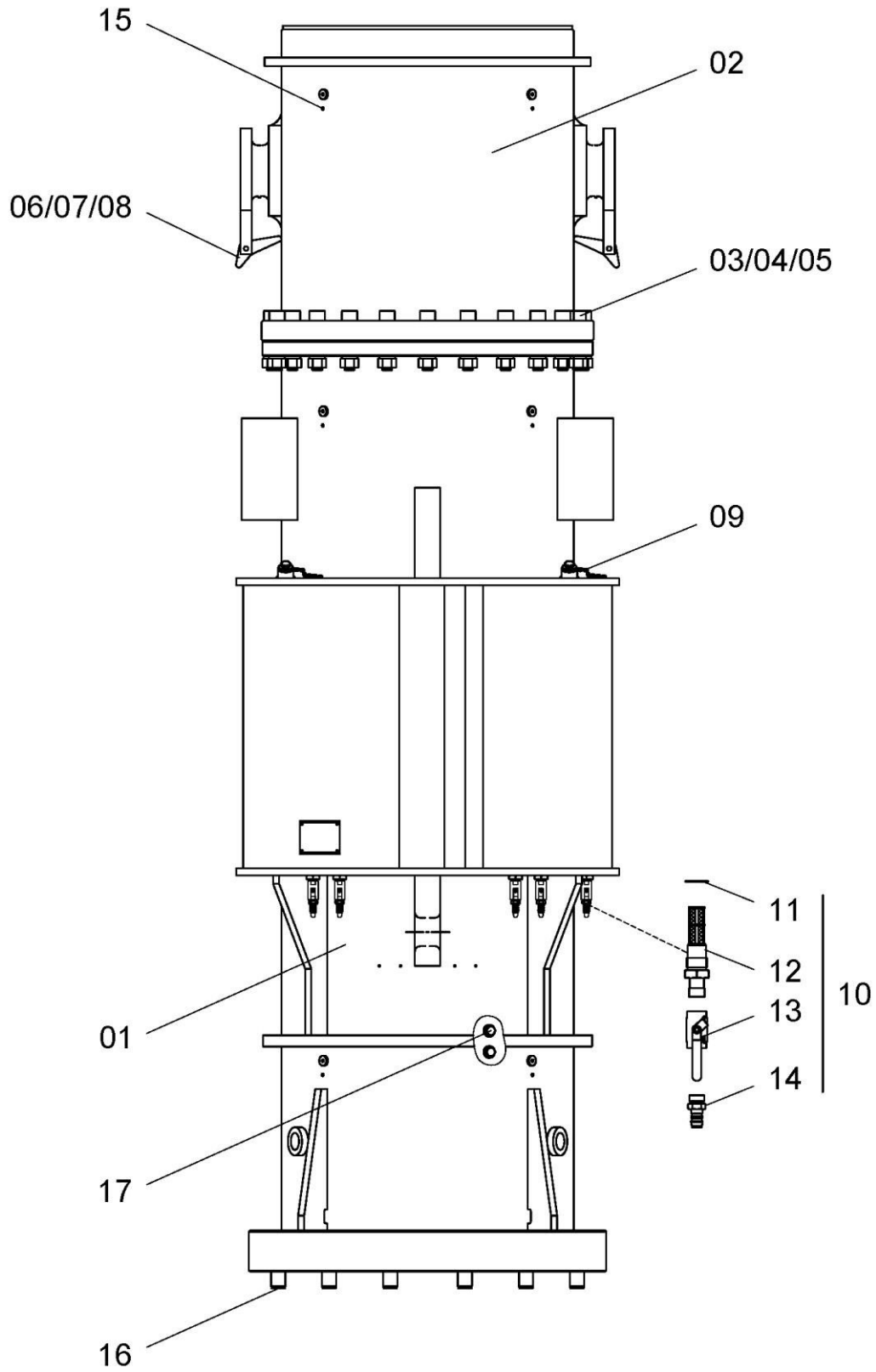
DH125.04.01.07

No.	Description	Q. ty	Parts – no.
1	pump cover complete	2	210420
2	ring	2	22050
3	stop	2	22796
4	stop pin	2	43307
5	dowel pin 10×32	2	90231
6	check-non-return valve complete	2	60827
7	housing	2	43297
8	valve piston	2	43299
9	pressure spring	2	22034
10	ring type nipple	2	60195
11	screw	2	60194
12	stop valve complete	2	210422
13	valve piston	2	210423
14	pressure spring $\Phi 18.8 \times 2 \times 30$	2	210424
15	round sealing ring 18×2.65	2	210425
16	threaded plug	2	210426
17	pressure spring $12 \times 1.2 \times 19.5$	2	210427
18	round sealing ring 15×2.65	2	210428
19	valve screw	2	210429
20	circlip 25×1.2	2	210430
21	Ball $\Phi 12.7 \text{mm}$	2	210431
22	suction valve complete	2	210421
23	sleeve	2	210432
24	pressure spring $7.3 \times 8 \times 0.7$	2	22022
25	washer	4	22023
26	threaded plug	2	41862
27	ball $\Phi 8.731 \text{mm}$	2	98511



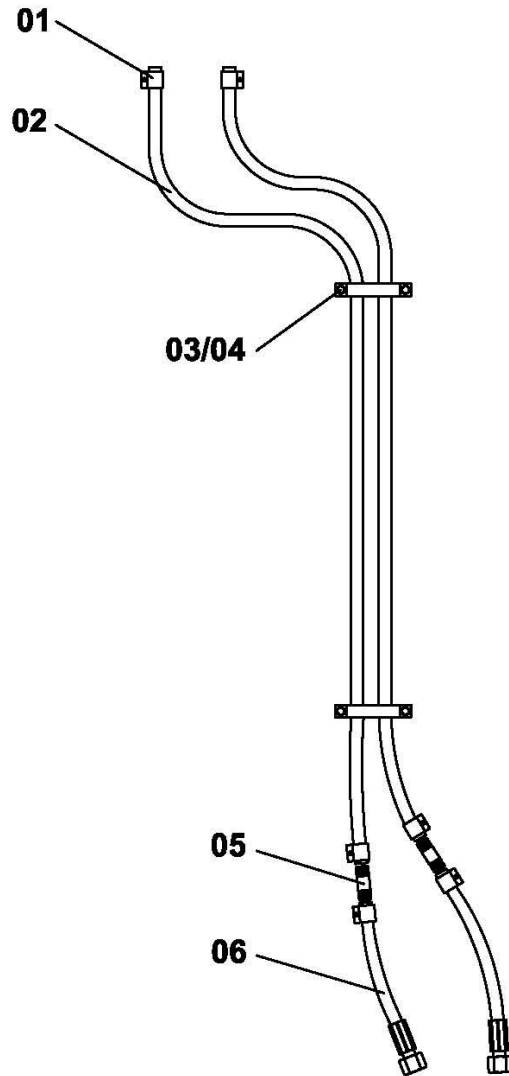
DH62.05.00

No.	Description	Q. ty	Parts – no.
—	lube pump complete	3	108325
1	pin	3	22082
2	sleeve	3	22090
3	adaptor(tube to thread)	3	67290
4	pressure spring 7.3×29.4×1.2	3	190479
5	plug screw	3	108328
6	pump lever	3	22081
7	pump body	3	108315
8	pressure spring 10×43×2	3	22089
9	ring	3	67283
10	pressure spring 22×52×2.8	3	97325
11	washer	3	67282
12	plug screw	3	91976
13	screw M8×35	12	90937
14	dowel pin 28×80	6	94315
15	protecting cap	3	93236
16	cylinder complete	3	67279
17	round sealing ring 24×3	3	205020
18	round sealing ring 26×3	3	91357
19	round sealing ring 30×3	3	92952
20	piston complete	3	67284
21	piston	3	67285
22	ring sliding ring with O-ring	3	97326
23	pressure valve complete	8	108317
24	ring type nipple	8	97949
25	hollow screw	8	97948
26	sealing ring A12×15.5	16	91417
27	adaptor(tube to thread)	8	108319
28	plug screw	8	104679
29	pressure spring 5×36×0.8	8	190005
30	round sealing ring 8×2	12	97855
31	ball Φ6	8	90307
32	plug screw	4	108316
33	sealing ring A20×24	3	92031



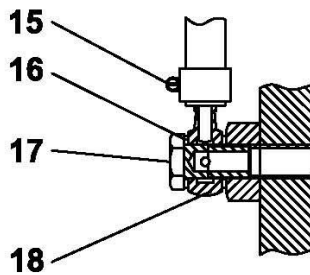
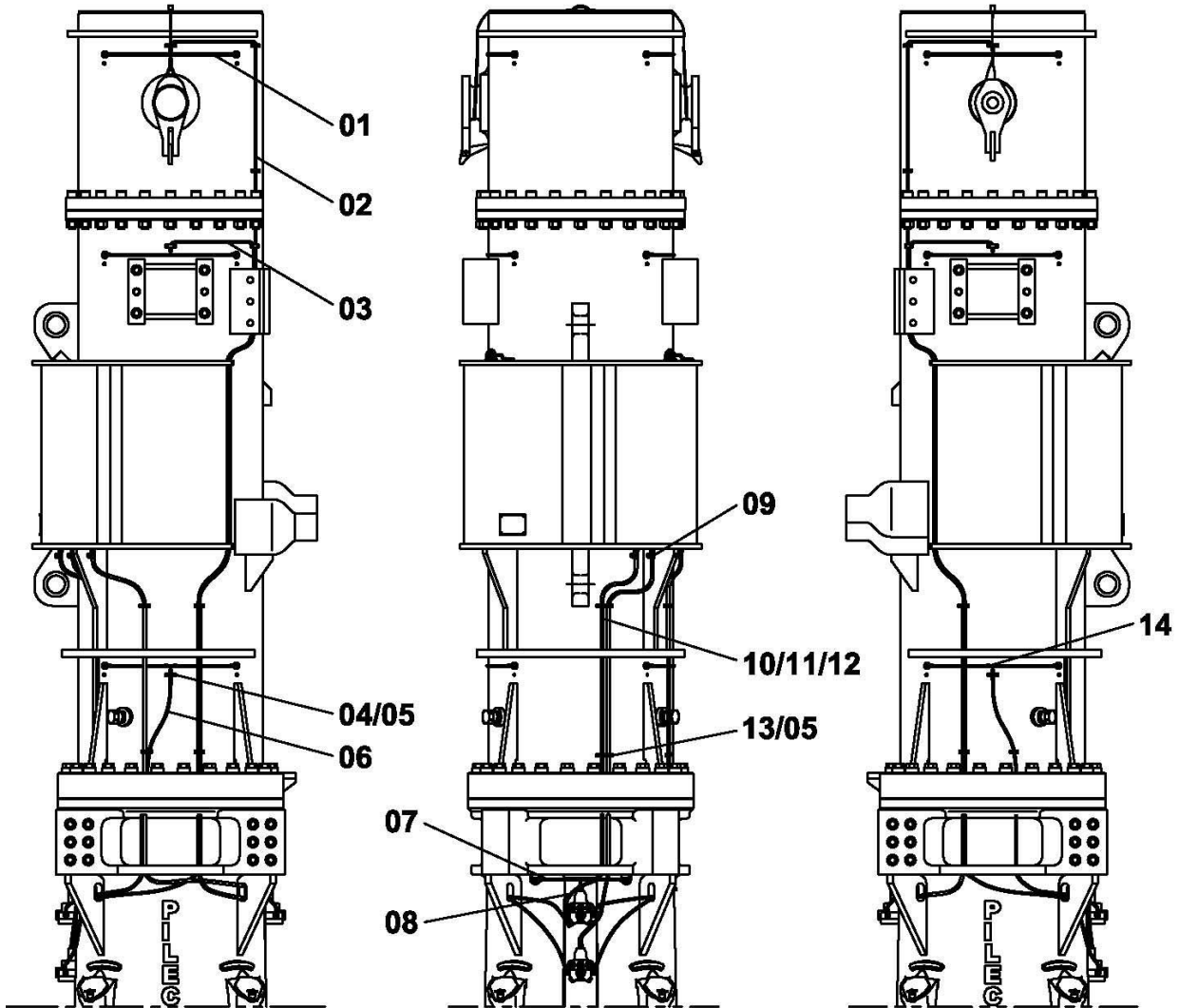
DH225.06.00

No.	Description	Q. ty	Parts – no.
–	cylinder upper part complete	1	230600
1	cylinder upper	1	230601
2	upper end ring L=1100mm	1	230602
2'	upper end ring L=1600mm	1	230605
3	hexagon screw M30×170	21	230603
4	hexagon nut M30	21	220604
5	washer 30	42	220605
6	ratchet	2	230604
7	dowel pin 12×80	2	230606
8	dowel pin 8×80	2	95186
9	plug screw complete	2	17186
10	filter assembly	7	220606
11	round sealing ring 36×1.5	7	210607
12	filter elbow	7	220607
13	ball valves 3/4"	7	220608
14	screwed joint	7	220609
15	grease nipple M10×1	10	90791
16	dowel pin Φ55×90	12	98807
17	screw plug M30×1.5	2	205052
※	dowel pin Φ50×80	4	94281



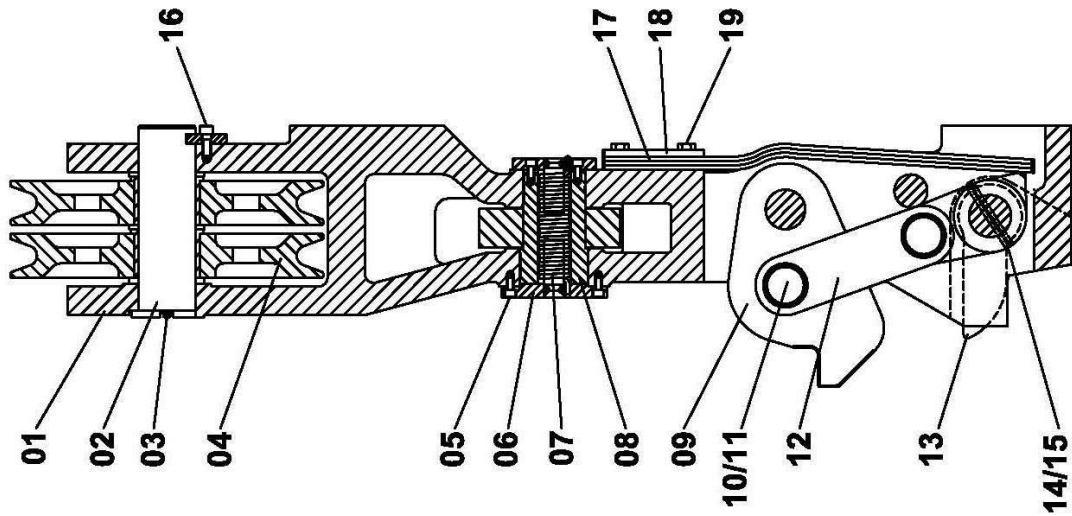
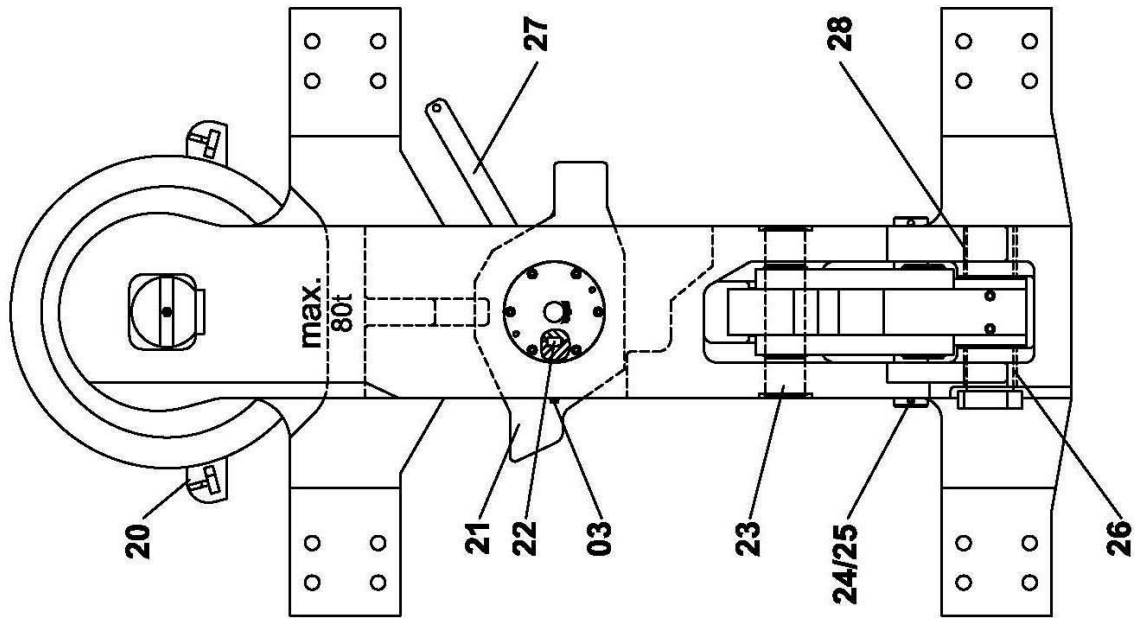
DH225.07.00

No.	Description	Q. ty	Parts – no.
—	fuel line/breather line complete		230700
1	hose clip 5/8"-1"	12	94299
2	hose 2.5m long	4	230701
3	clip	6	41965
4	hexagon screw M8×12	12	93412
5	Straight connector	4	230702
6	hose 0.36m long	4	210707



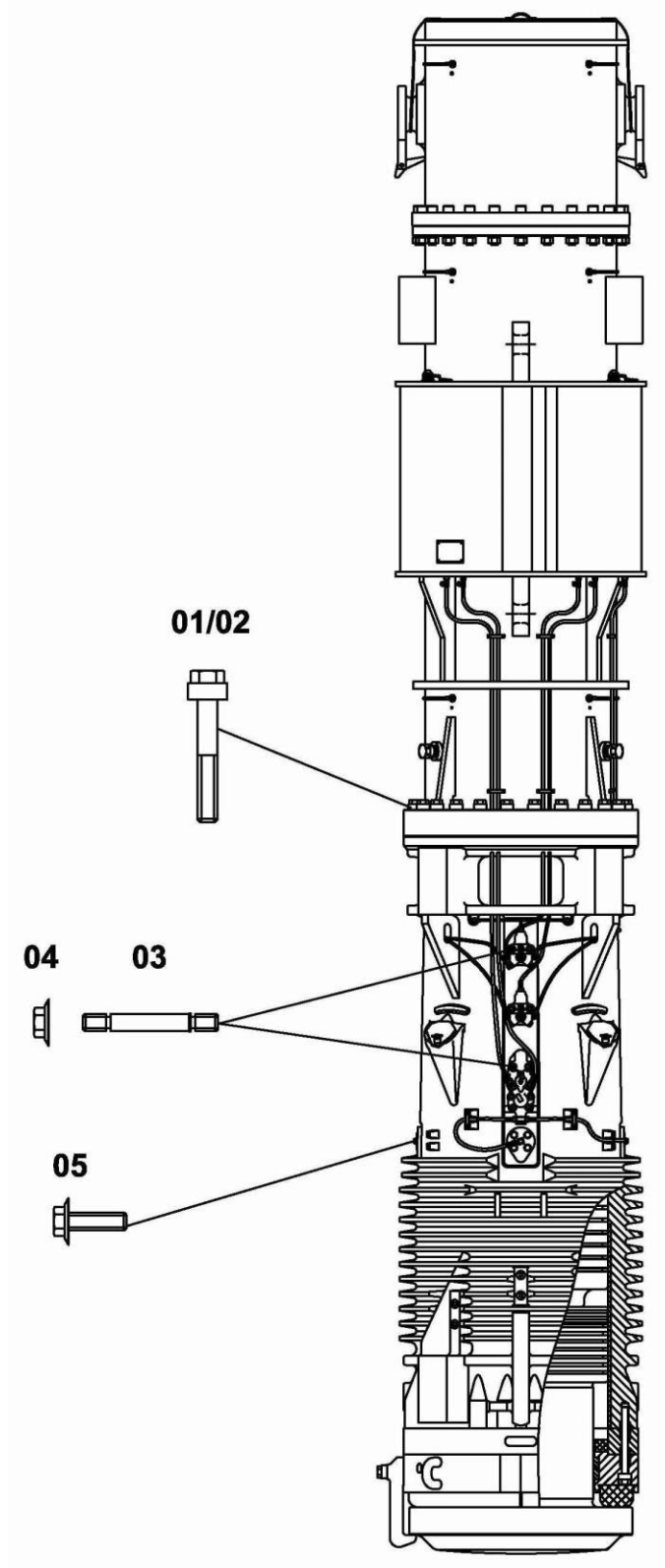
DH225.08.00

No.	Description	Q. ty	Parts – no.
—	lube line with connecting		230800
1	hose 0.39m long	12	230801
2	hose 5.84m long	2	230802
3	hose 4.72m long	2	230803
4	clip	12	2932
5	locking screw M8×12	32	93412
6	hose 1.82m long	2	230804
7	hose 0.23m long	4	230805
8	hose 0.32m long	2	230806
9	hose clip 5/8"-1"	3	94299
10	hose 3.7m long	1	210802
11	hose 2.5m long	1	98561
12	hose 2.1m long	1	230809
13	clip	4	41965
14	T—piece	8	94522
15	hose clip 7/16"-5/8"	48	95115
16	sealing ring A12×15.5	48	91417
17	hollow screw	24	97948
18	ring type nipple	24	97949



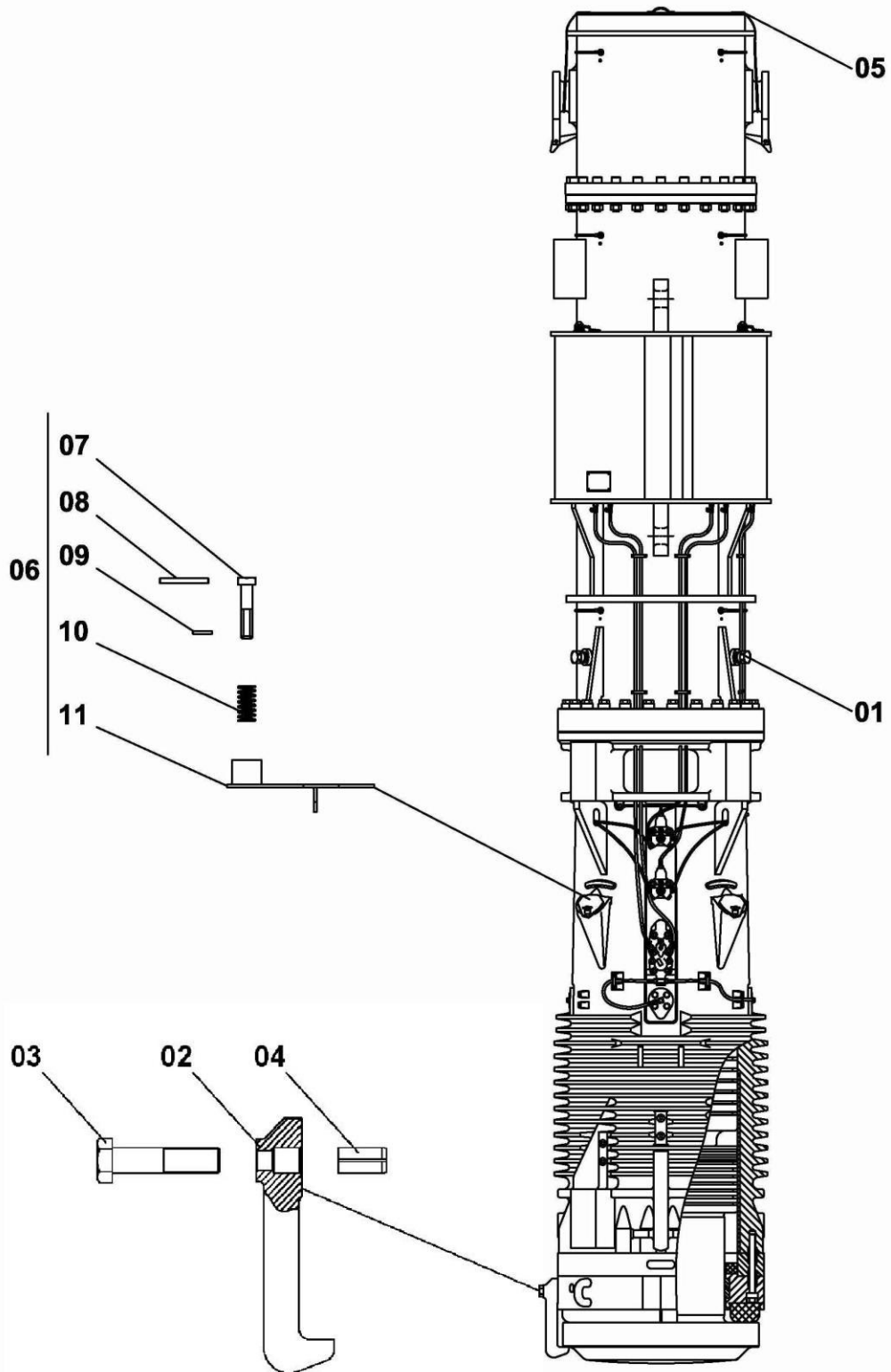
DH225.09.00

No.	Description	Q. ty	Parts – no.
–	trip gear complete	1	230900
1	guide body	1	230901
2	sheave pin	1	230902
3	grease nipple M10×1	3	90791
4	rope pulley complete	1	230903
※	rope pulleys	2	230904
※	copper sets	2	230905
※	washer	1	230906
※	washer	2	230907
5	cylinder screw M16×30	12	230908
6	ring	1	230909
7	torsion spring	1	230910
8	shaft	1	230911
9	pawl	1	230912
10	joint bole	2	230913
11	circlip 90×2.5	6	230914
12	shackle	2	230915
13	pawl lever	1	230916
14	dowel pin 20×160	2	230917
15	dowel pin 12×160	2	230918
16	cylinder screw M20×50	2	230919
17	leaf spring	3	230920
18	plate	1	230921
19	lock screw M24×80	4	230922
20	rope guard	1	230923
21	carrier	1	230924
22	key 32×80	1	220923
23	joint bole	1	230925
24	shaft	1	230926
25	split pin 12×140	2	230927
26	sleeve	1	230928
27	lever	1	230929
28	sleeve	1	230930



DH225.10.00

No.	Description	Q. ty	Parts – no.
—	set connecting parts	1	231000
	for cylinder upper part		
	with cylinder lower part:		
1	reduced screw M36×260	20	231001
2	reduced screw M36×220	4	231002
	for variable-delivery fuel pump		
	with cylinder lower part:		
3	stud bolt M16	12	20189
4	locking nut M16	12	94722
	for lube pump		
	with cylinder lower part:		
3	stud bolt M16	6	20189
4	locking nut M16	6	94722
	for injection vale		
	with cylinder lower part:		
5	reduced screw M16×45	16	95639



DH25.11.00

No.	Description	Q. ty	Parts – no.
—	transport protecting complete	1	231100
1	locking screw M64	2	231101
2	securing clamp	2	231102
3	screw M36×160	2	221103
4	dowel pin 50×80	2	94281
5	protecting cap	1	231103
6	exhaust cover complete	4	231104
7	screw complete	4	20076
8	dowel pin 5×50	4	90661
9	dowel pin 3×20	4	91444
10	pressure spring	4	20082
11	cover complete	4	231105

TOOL BOX
NO PICTURE

No.	Description	Qty	Parts – no.
—	tool box complete	1	231400
1	tool book	1	90890
2	piston ring fitting band complete	2	231401
3	piston ring fitting pliers complete	1	231402
4	assembly plate complete	2	22700
5	punch $\Phi 4$	1	90354
6	punch $\Phi 8$	1	205048
7	punch $\Phi 12$	1	93349
8	punch $\Phi 16$	1	205049
9	grease nipple M10 \times 1	4	90791
10	ratchet spanner	1	90196
11	bar 525 \times 20	1	205014
12	ring screw M100 \times 6	1	231403
13	dowel pin $\Phi 12 \times 160$	2	230918
14	dowel pin $\Phi 20 \times 160$	2	230917
15	double ended open spanner 17 \times 19	1	92015
16	double ended open spanner 19 \times 22	1	90443
17	double ended open spanner 30 \times 32	1	90655
18	single ended open spanner 13	1	90660
19	single ended open spanner 17	1	95071
20	single ended open spanner 27	1	90465
21	single ended open spanner 46	1	90184
22	double ended ring spanner 13 \times 15	1	261512
23	double ended ring spanner 22 \times 24	1	95834
24	spanner 375 \times 46	1	93352
25	socket wrench SW22	1	90197
26	socket wrench SW24	1	93350
27	socket wrench SW46	1	90199
28	single ended open spanner 3/4	1	205017
29	angled screw driver 5	1	90055
30	angled screw driver 6	1	90862
31	angled screw driver 8	1	90657
32	angled screw driver 10	1	90469
33	angled screw driver 14	1	90079
34	angled screw driver 17	1	93371
35	angled screw driver 19	1	90194
36	angled screw driver 22	1	93370
37	angled screw driver 27	1	93347
38	regulation rope $\Phi 8 \times 90$	2	205018
39	pliers 7"	1	90785
40	Grease gun	1	90795
41	oil feeder	1	93600
42	604 sealant 0.3kg	1	205019