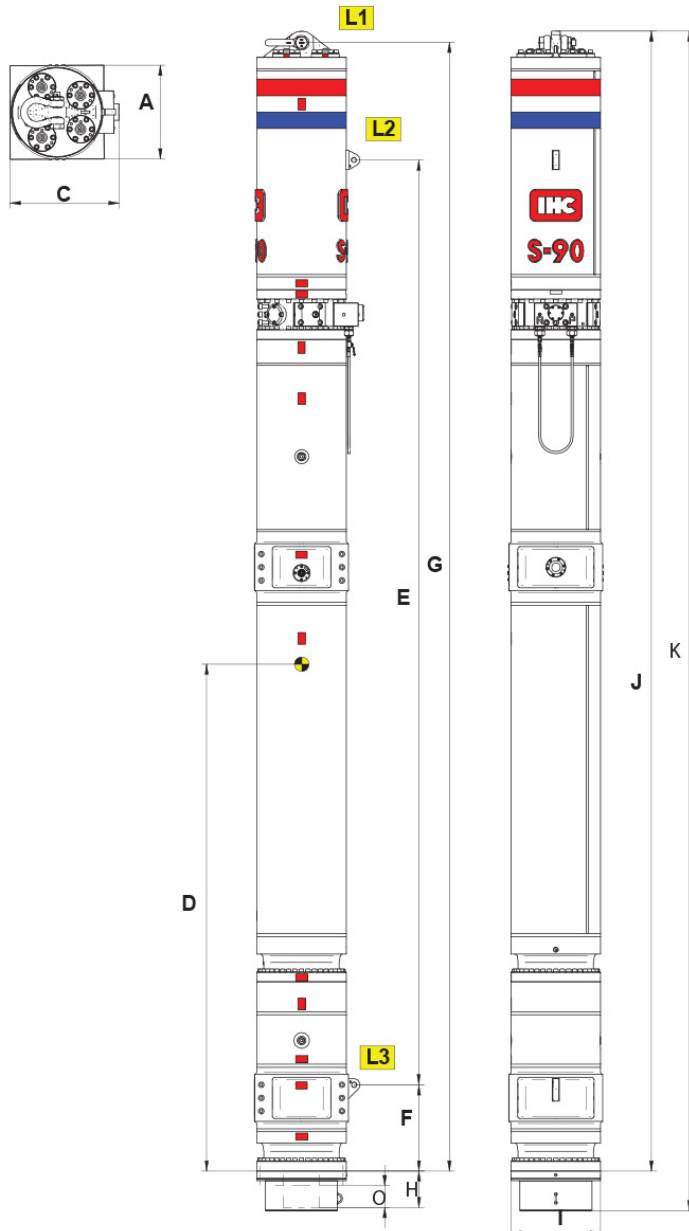


Specifications: S-90 HydroHammer® Uses P-250 Power Pack

APPLICATION: Hydrohammer® Leader guided for steel piles
Piling free hanging in air and underwater

data sheet no. 1.1.10006
revision 4
date December, 2015
page 1/2
code no. 85 11 00 07



Pos.	Description S-90	Length mm/in
A	Transport width	640/ 25¼"
C	Transport height (with shackle)	745/ 29¾"
D	Centre of gravity	3460/ 136¼"
E	Position lifting eyes	6315/ 248⅝"
F	Position lifting eyes	590/ 23¼"
G	Length under crane hook	7700/ 303⅓/16"

Pos.	Description S-90	Length mm/in
H	Required length in sleeve	250/ 9⅞"
I	Outer diameter	610/ 24"
J	Length	7780/ 306⅝/16"
K	Transport length (incl. cover)	8055/ 317⅞"
O	Fall out ram weight pin	150/ 6"

Pos. Lifting Eyes	WLL (working load limit)- metric/US tons	HOLE Ø	THICKNESS
L1	25/ 27.6	Ø56mm	70mm
L2 / L3	9.5/ 10.5	Ø33mm	40mm

Standard (type G-4163)
for Top Shackle

Specifications: S-90 HydroHammer® Uses P-250 Power Pack

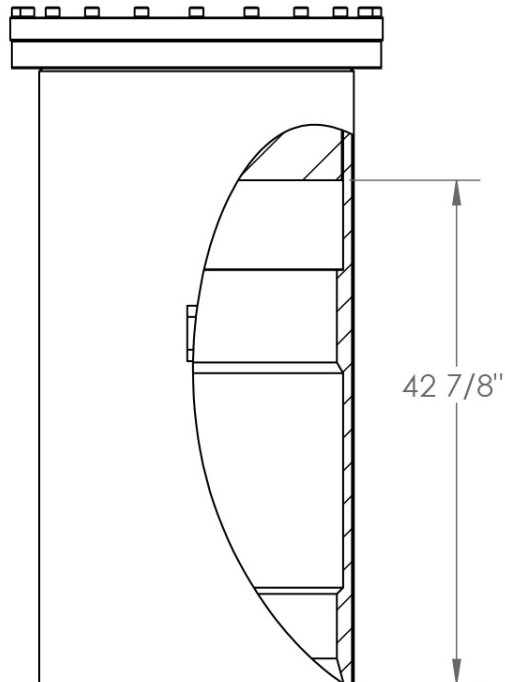
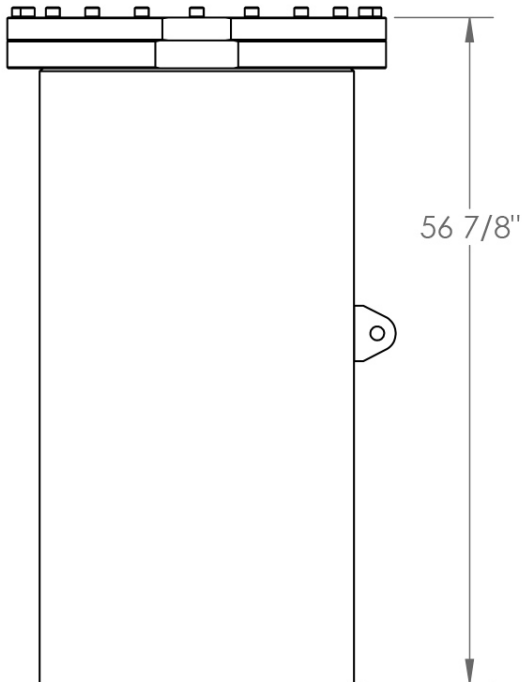
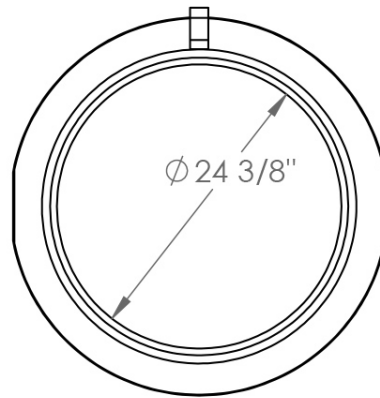
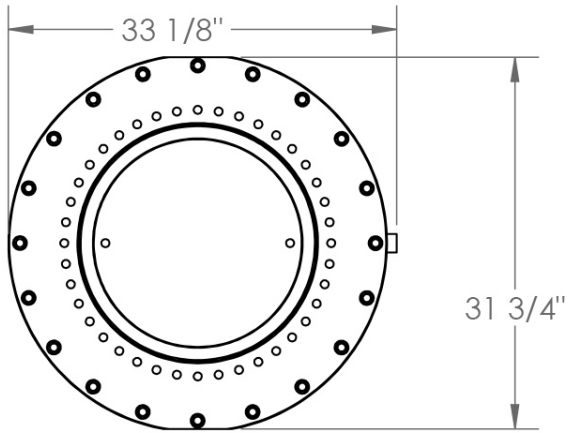
APPLICATION: Hydrohammer® Leader guided for steel piles
 Piling free hanging in air and underwater

data sheet no.	1.1.10006
revision	4
date	December, 2015
page	1/2
code no.	85 11 00 07

Weights approx in:	Metric tons/US tons
Ram :	4.5 / 5
Hammer (incl. ram, in air) :	10 / 11
Hammer (incl. ram, in salt water) :	7.75 / 8.5
(Only if fully submerged)	
Energy per Blow	
Max:	90 kJ / 66381 ft lbs
Min:	9 kJ / 6638 ft lbs
Number of blows:	46 min
Hydraulic Data	
Operating pressure :	300 bar
Max. pressure:	350 bar
Recommended oil flow:	250 l/min
Gas Filling Pressure	
Vertical pile driving only! Values will vary for:	
1. Pile driving under different angles with the vertical.	
2. Pile driving underwater depending on water depth.	
Supply accumulator (Nitrogen):	140–170 bar
Return accumulator (Nitrogen):	4–5 bar
Cap (Nitrogen or Air):	12–16 bar
Safety Setting	
Cap :	40 bar
Hose Connections	
Oil supply 1½" hose (P)	M52x2 male
Oil return 1½" hose (R)	M52x2 male
Nitrogen to cap (CA)	R 3/4" male

#8002885

24" CONDUCTOR SLEEVE TO FIT S-90 HYDRAULIC HAMMER



#8002885

Weight: 2,894 lbs.