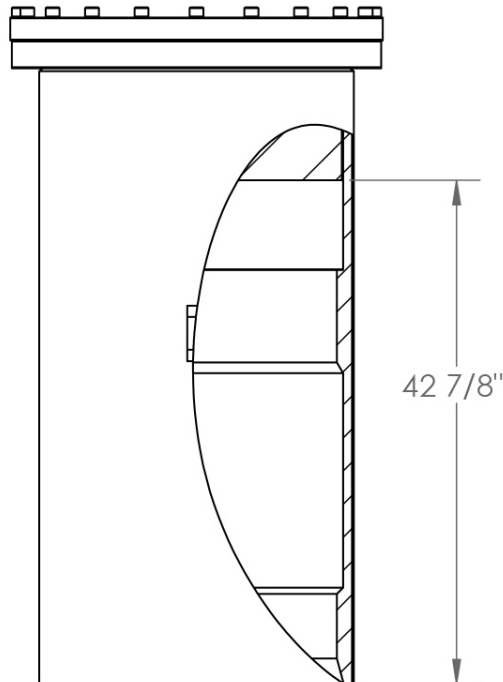
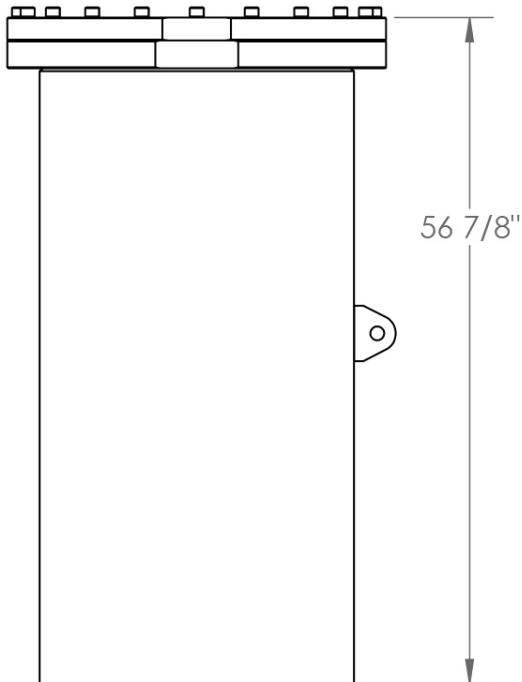
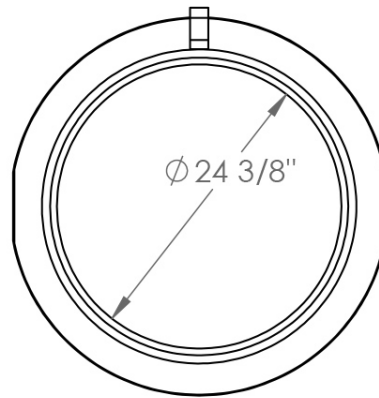
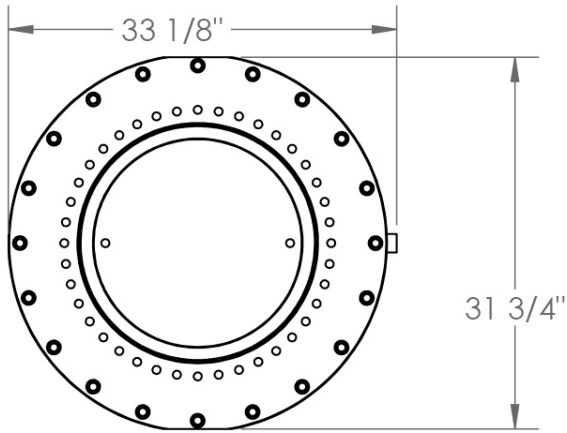


#8002885

24" CONDUCTOR SLEEVE TO FIT S-90 HYDRAULIC HAMMER



#8002885

Weight: 2,894 lbs.