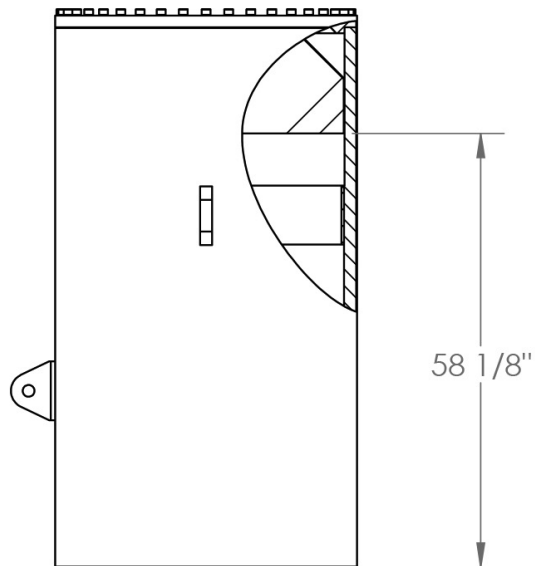
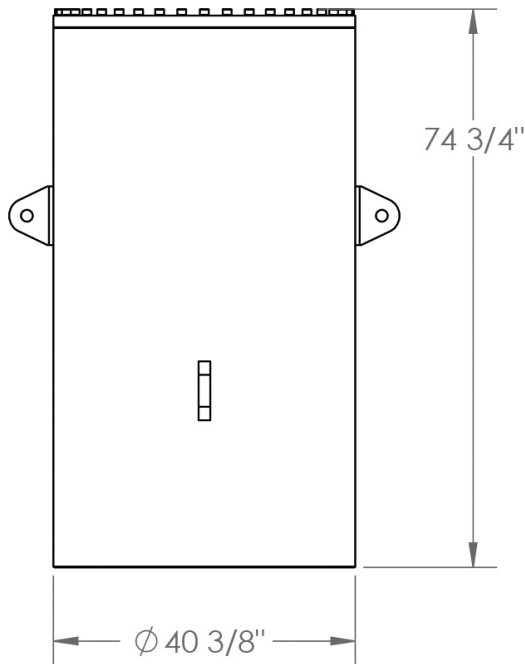
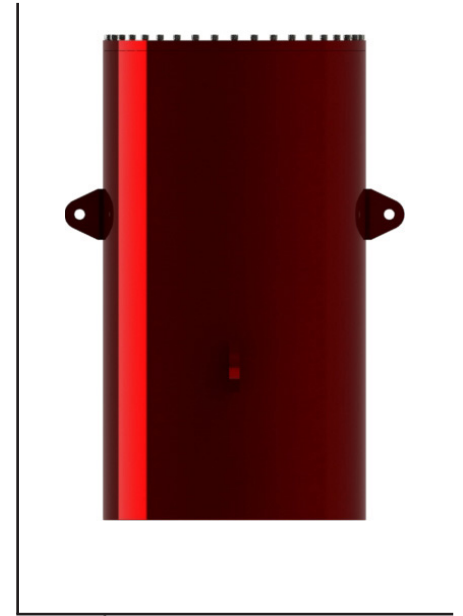
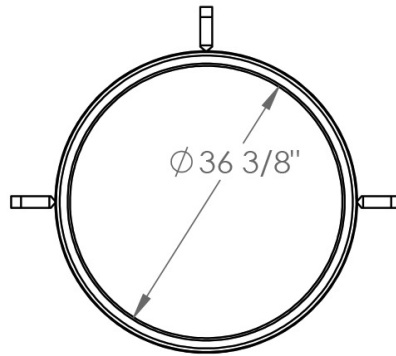
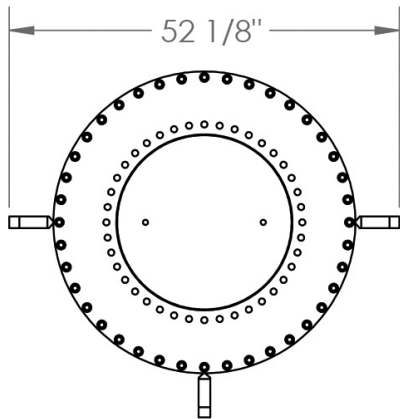


**#8005451**

**36" CONDUCTOR SLEEVE TO FIT S150 HYDRAULIC HAMMER**



**#8005451**

**Weight: 8,268 lbs.**