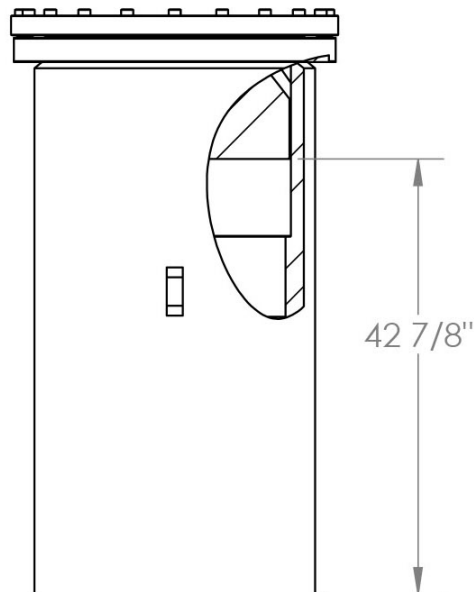
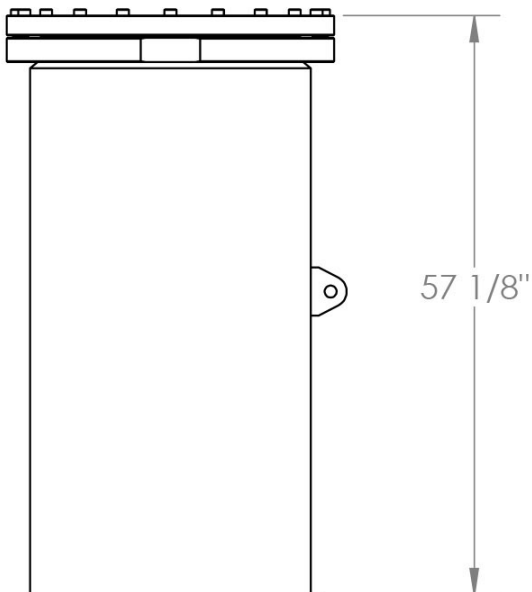
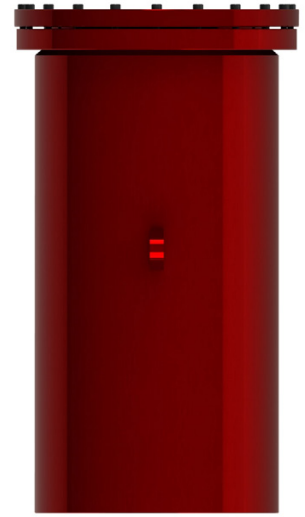
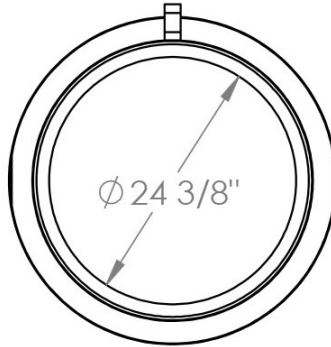
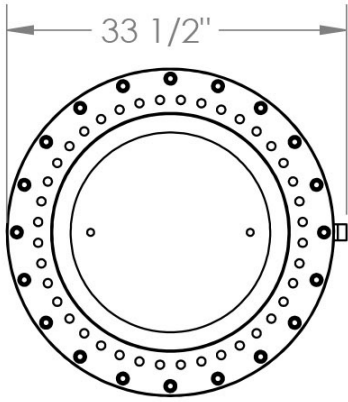


#8004960

24" CONDUCTOR SLEEVE TO FIT S150 HYDRAULIC HAMMER



#8004960

Weight: 3,524 lbs.