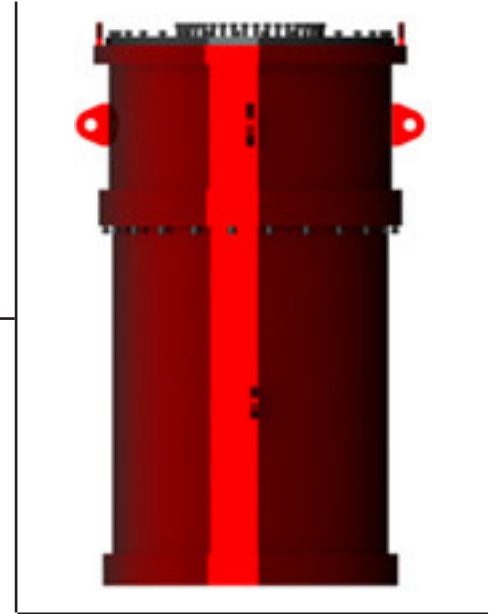
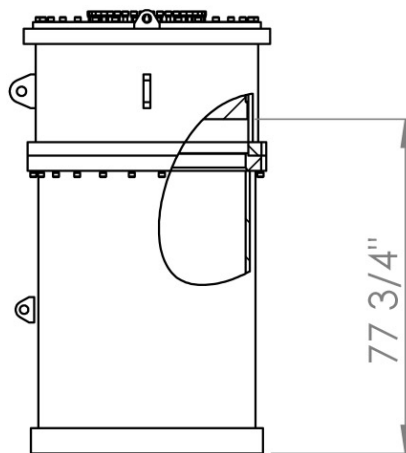
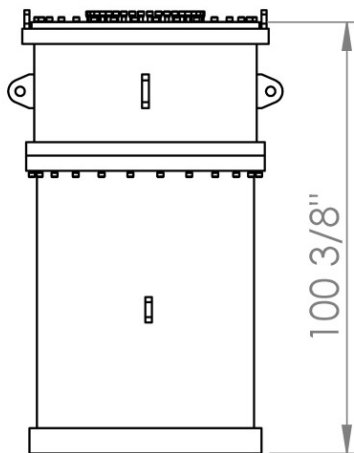
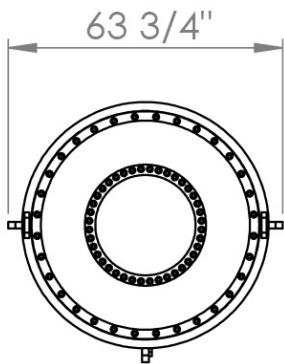


#8001833

48" CAP AND SKIRT TO FIT S150 HYDRAULIC HAMMER



#8001833

Weight: 17,342 lbs.