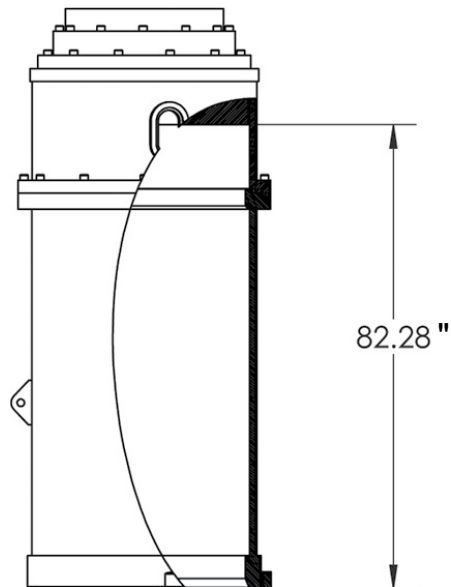
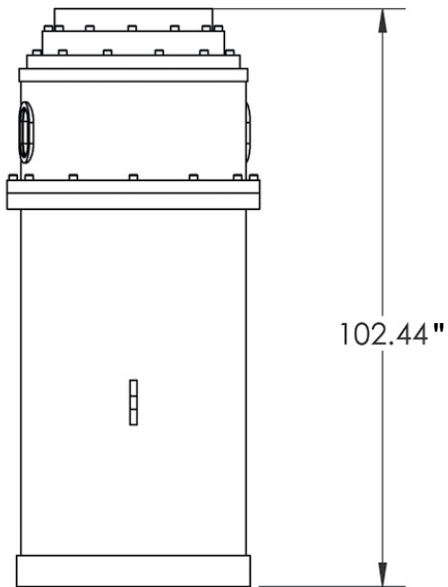
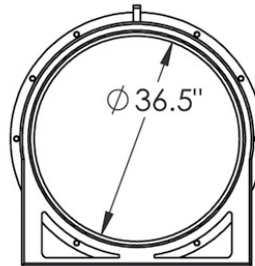
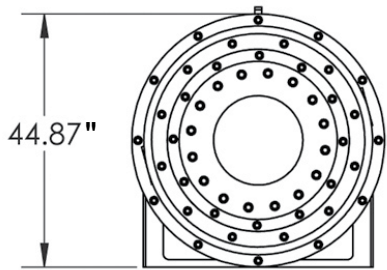


**36" SLEEVE FOR D46-32**

**36" SLEEVE FOR D46-32**

#284200	Weight lbs.
Suitable for Piles up to 36"	total: 10,275.4 lbs