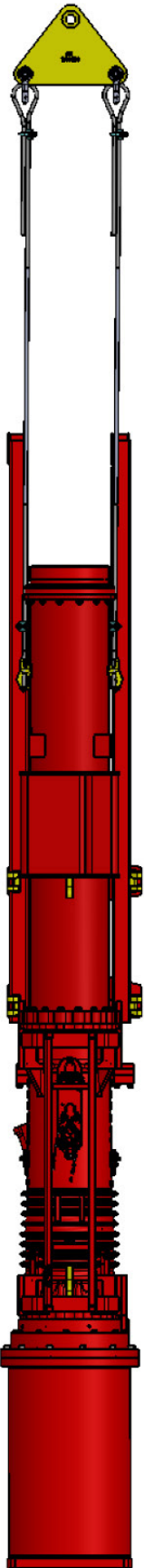


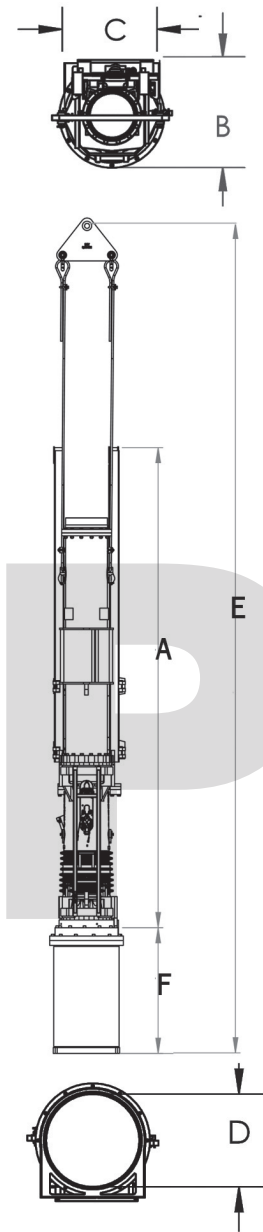
## Specifications: Direct Drive D46-32



### Dimensions approx:

Length:	A	6267.5 mm	20' 6 <sup>3</sup> / <sub>4</sub> " ft/in
Hammer Depth:	B	1207 mm	3' 11.5" ft/in
Width:	C	1041 mm	3' 5" ft/in
Sleeve Diameter (see sleeve pg.):	D	varies	Ø24" - Ø48"
Hammer w/ Slings Length	E	10827 mm	35' 6 <sup>1</sup> / <sub>4</sub> " ft/in
Length of Sleeve (see sleeve pg.):	F	varies	Ø24" - Ø48"

Pump Setting 1	73.9 kNm	54,358 ft.lbs.
Pump Setting 2	96.3 kNm	70,805 ft.lbs.
Pump Setting 3	121.1 kNm	89,040 ft.lbs.
Pump Setting 4	145.9 kNm	107,315 ft.lbs.



### WEIGHTS DO NOT INCLUDE SLEEVES

### Weights approx:

Weight of diesel pile hammer approx.:	10 Us tons	20,078.2 lbs
Weight of piston approx.:	4600 kg	10,141.3 lbs
Impact Block approx.:	1070 kg	2,066.5 lbs
Tripping device approx.:	500 kg	1,102.3 lbs
Tool box approx.:	100 kg	220.5 lbs

### Energy per blow

Max:	145.9 kNm	107,315 ft lbf
Min:	73.9 kNm	54,358 ft lbf
Number of blows:		35-52 min

### Batter Info

Max. gradient of batter pile driven:	1:3
--------------------------------------	-----


### Consumption

Diesel fuel:	16 L hr.	4.3 gph
Lubrication oil:	2 L hr.	.53 gph


### Volume

Diesel oil tank:	89 L	23.5 gal
Lube tank:	17 L	4.5 gal

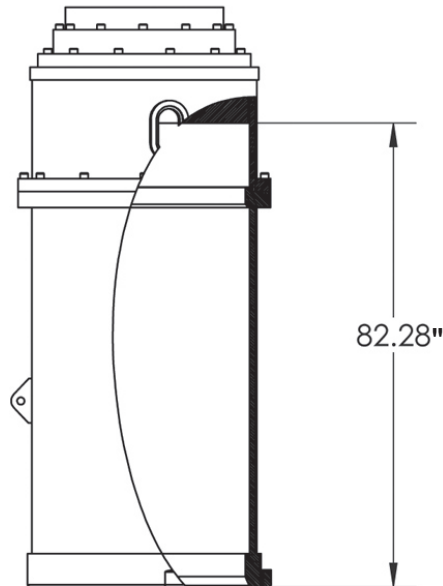
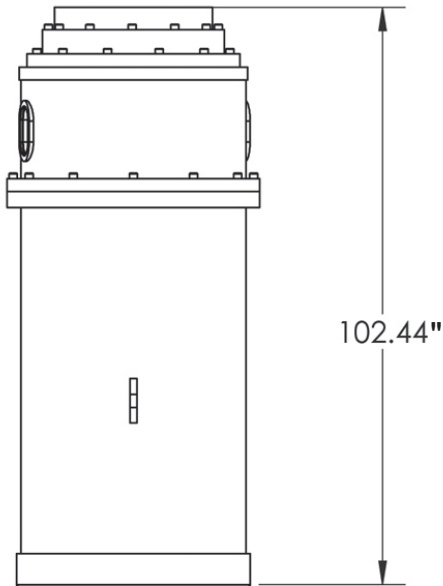
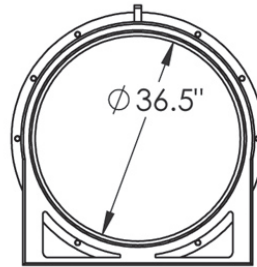
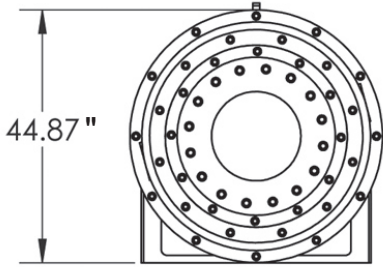
**Sleeves for a D46-32 Direct Drive**

	<b>36" Sleeve</b>			
	<b>#</b>	<b>Assembly</b>	<b>Qty.</b>	<b>Weight lbs.</b>
	284101	DIRECT DRIVE ANVIL	1	2,066
	284102	OUTER END RING	1	835
	284201	SLEEVE ADAPTER RING	1	433
	284203	UPPER SLEEVE	1	1,109
	284204	36" SLEEVE	1	3,160
	284103	RUBBER RING	4	16
	284104	ALUMINUM PLATE	1	62
	284202	DRIVE PLATE	1	2,476
	203131	24MM SCHNORR SAFETY WASHER	36	.1
	205108	24MM-3 X 110 SOCKET HEAD CAPSCREW	24	1.2
	282201	24MM-3 X 160 SOCKET HEAD CAPSCREW	12	1.5
<b>Suitable for Piles up to 36"</b>			<b>total: 10,275.4 lbs</b>	

**Sleeves for a D46-32 Direct Drive**

	<b>36" Sleeve</b>		
	<b>#284200</b>		<b>Weight lbs.</b>
	<b>Suitable for Piles up to 36"</b>		<b>total: 10,275.4 lbs</b>
			<a href="#">View Diagram</a>

## 36" SLEEVE FOR D46-32



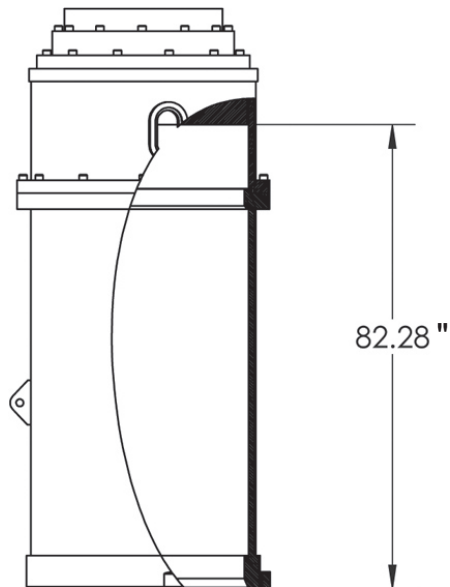
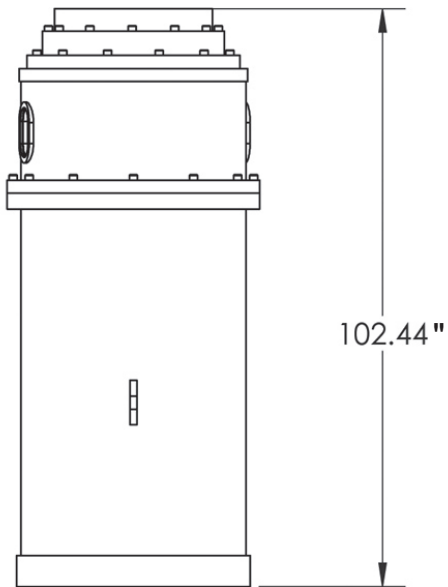
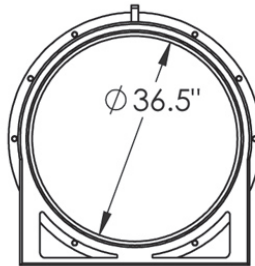
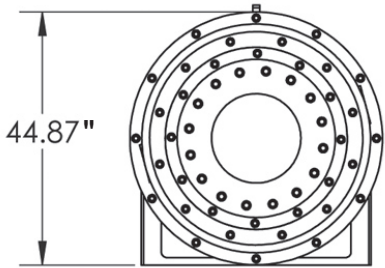
## 36" SLEEVE FOR D46-32

#284200	Assembly	Qty.	Weight lbs.
---------	----------	------	-------------

284101	DIRECT DRIVE ANVIL	1	2,066 lbs	284104	ALUMINUM PLATE	1	62 lbs
284102	OUTER ENDRING	1	835 lbs	284202	DRIVE PLATE	1	2,476 lbs
284201	SLEEVE ADAPTER RING	1	433 lbs	203131	24MM SCHNORR SAFETY WASHER	36	.1 lbs
284203	UPPER SLEEVE	1	1,109 lbs	205108	24MM-3 X 110 SOCKET HEAD CAP-SCREW	24	1.2 lbs
284204	36" SLEEVE	1	3,160 lbs	282201	24MM-3 X 160 SOCKET HEAD CAP-SCREW	12	1.5 lbs
284103	RUBBER RING	4	16 lbs				

Suitable for Piles up to 36"

total:  
10,275.4 lbs

**36" SLEEVE FOR D46-32**

**36" SLEEVE FOR D46-32**

#284200	Weight lbs.
Suitable for Piles up to 36"	total: 10,275.4 lbs