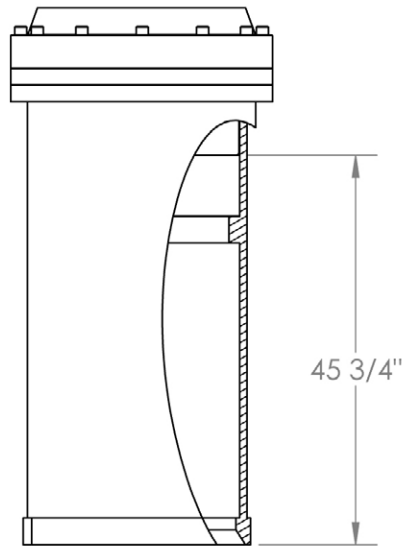
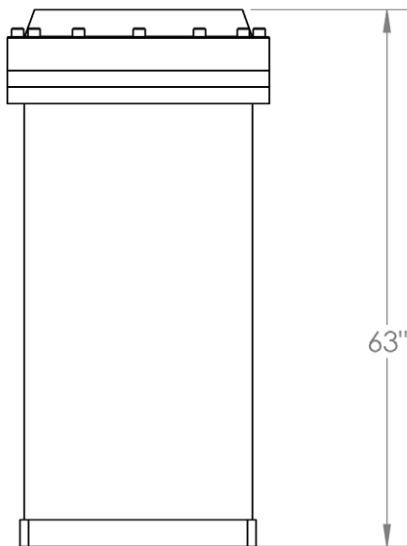
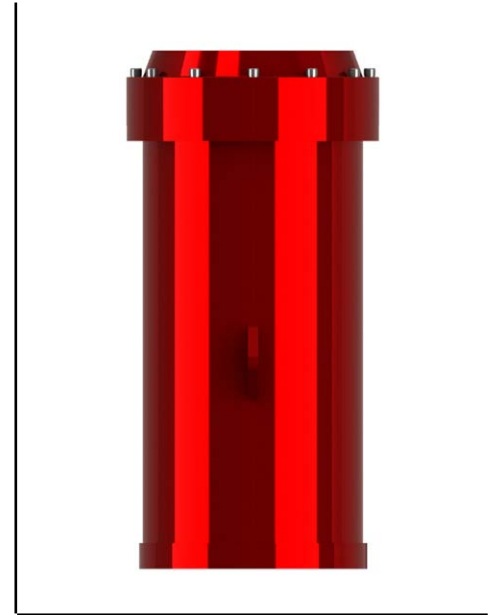
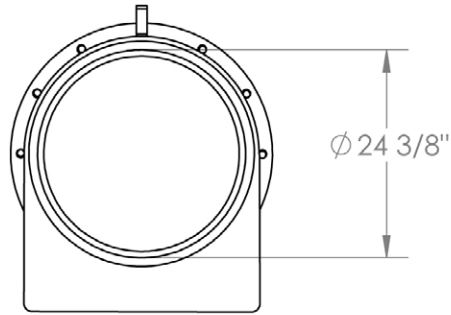
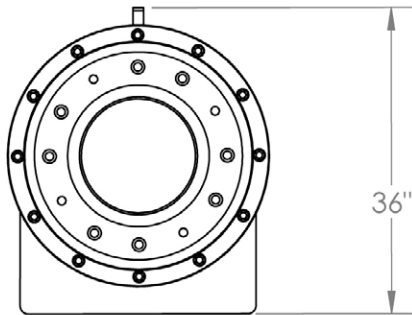


**24" SLEEVE DIAGRAM FOR D30-32**

**24" SLEEVE FOR D30-32**
**#283100**
**Weight lbs.  
4,394**