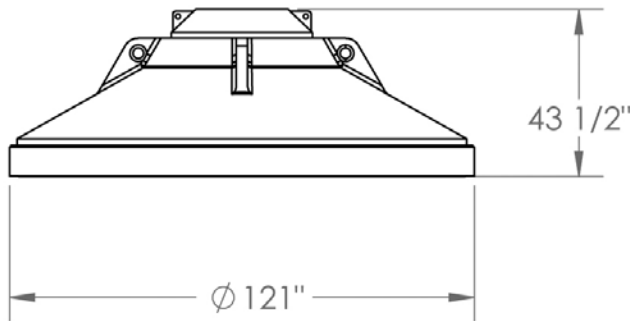
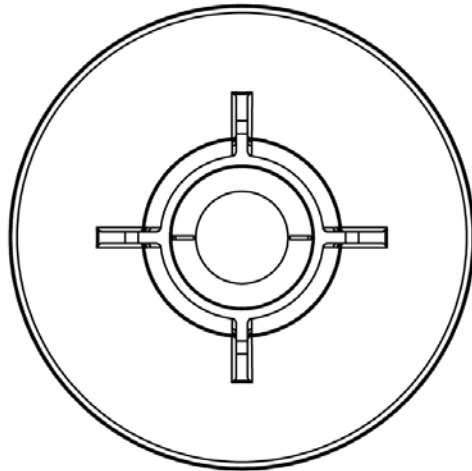



## P-518 120" Large Diameter Drive Plate Assembly & Diagram



### P-518 120" Large Diameter Drive Plate

	#	Assembly	Qty.	Weights lbs. <b>Approx.</b>	Accessories
	410456	120" Drive Plates Diameter	1	61,001	steel cable 2
	500335	striker plate, Ø 37" x 12"	1	3,080	(910-CBCP-12MM) cable clamp 2
	500165	aluminium cushion, Ø 37" x 1/2"	3	159 (for 3)	
	500115	phenolic cushion, Ø 37" x 1"	2	142 (for 2)	
				<b>Total: 64,382 lbs. approx.</b>	
<b>Pipe Pile Size:</b> Up to 120"Ø Use guide shoes for Ø 84", 96", 98", 108", 114"				<b>OS Type Lead Size:</b> OS 120	

#### PILECO