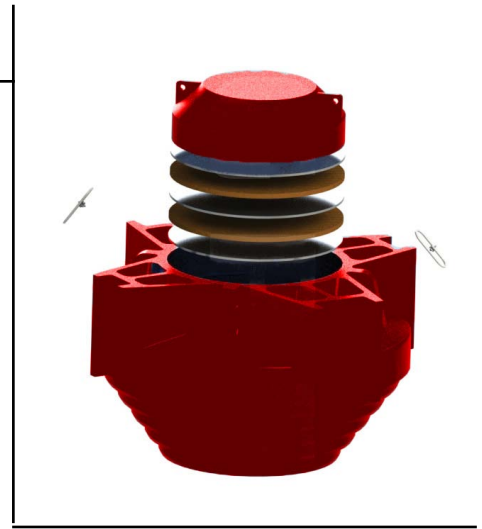
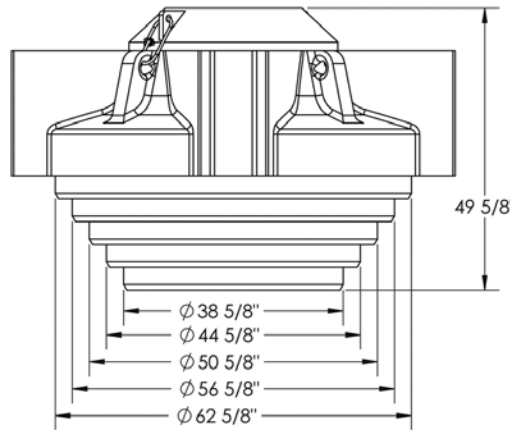
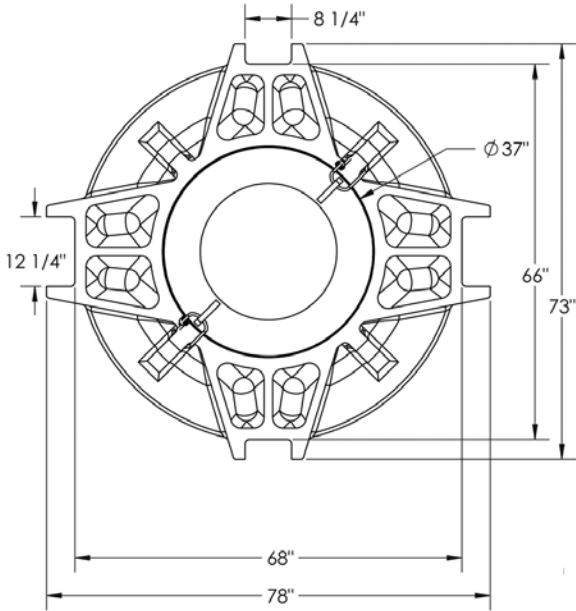
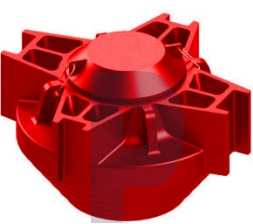


## P-516 66" Offshore Male Helmet Assembly & Diagram



### P-516 66" Offshore Male Helmets Assembly

	410453	Male type Offshore Helmet	1	26,600	steel clamp 2
	500335	striker plate, Ø 37"x12"	1	3,080	(910-CBCP-12MM) cable clamp 2
	500165	aluminium cushion, Ø 37"x1/2"	3	159 (for 3)	
	500115	phenolic cushion, Ø 37"x1"	2	142 (for 2)	
					<b>Total:</b> <b>29,981 lbs</b>
<b>Pipe Pile Size:</b> 42"x 1-1/2", 48" x 1-1/2", 54" x 1-1/2", 60" x 1-1/2", 66" x 1-1/2" <b>U-Lead Size:</b> 66.5"x 8", 68.5"x 12"					