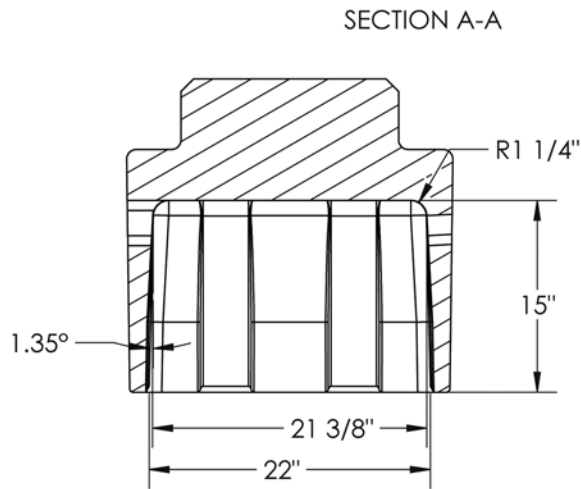
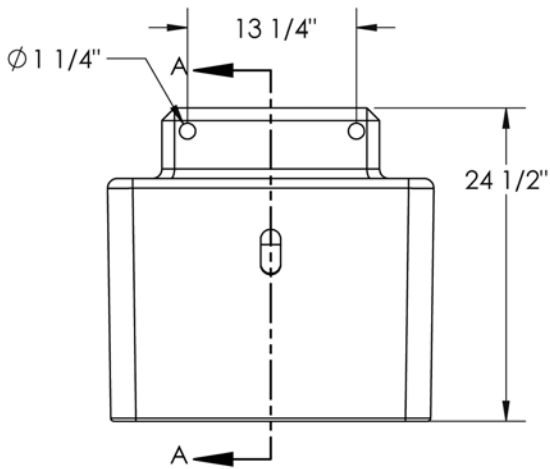
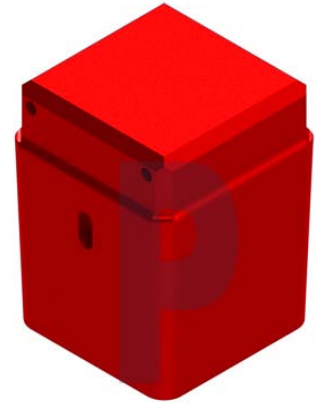
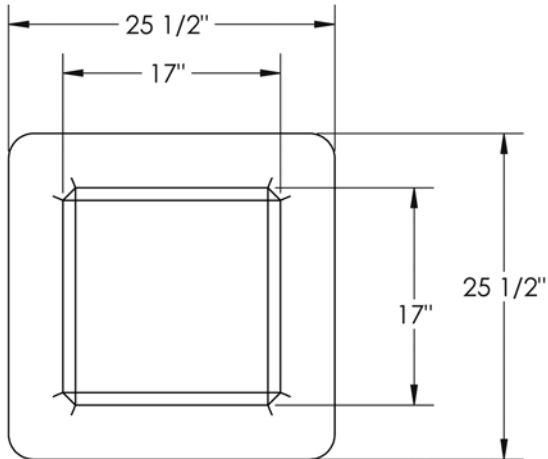


Helmet Insert 20" Square Diagram



Helmet Insert 20" Square Helmets

Inserts For Concrete Piles		
500520	20" Square	1,724 lbs. Approx.