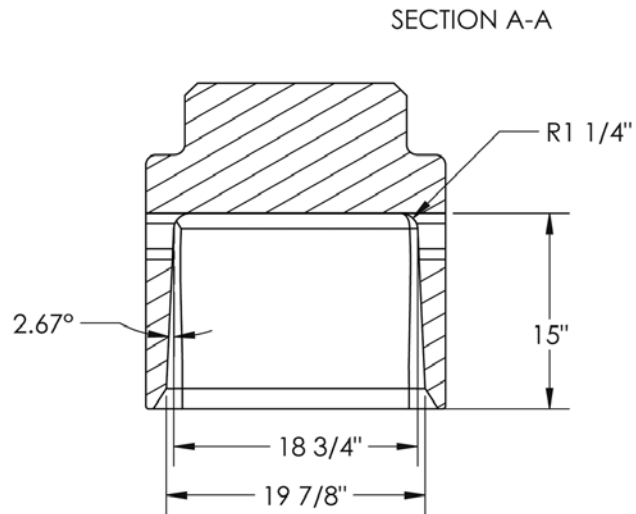
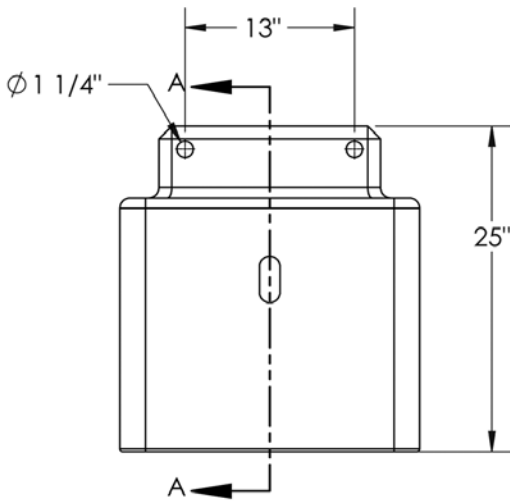
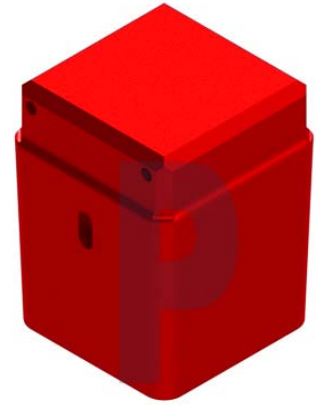
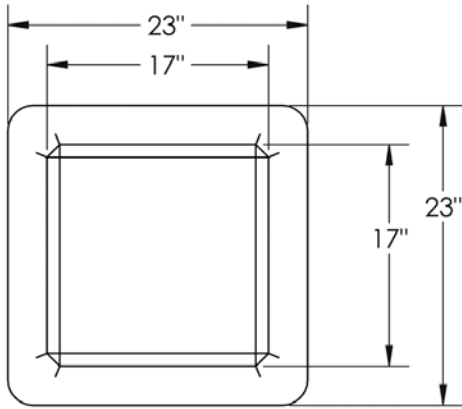


## Helmet Insert 18" Square Diagram



### Helmet Insert 18" Square Helmets

Inserts For Concrete Piles		
500518	18" Square	1,715 lbs. <i>Approx</i>