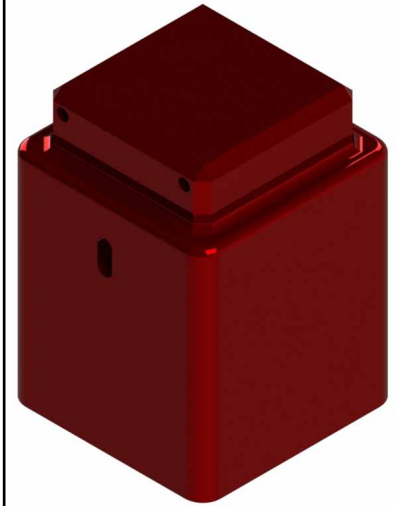
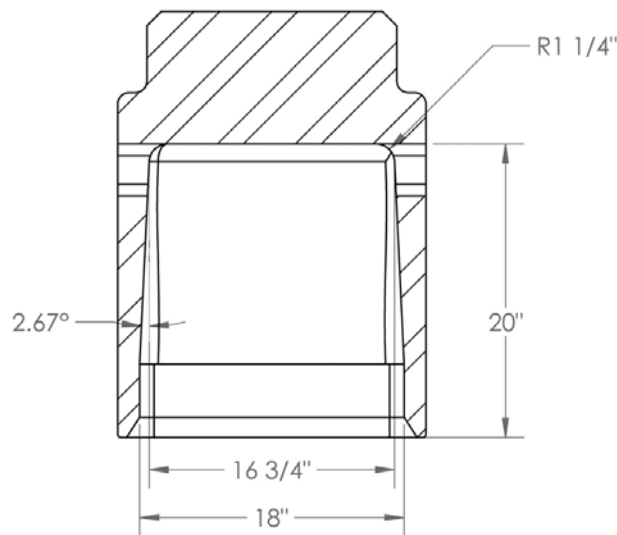
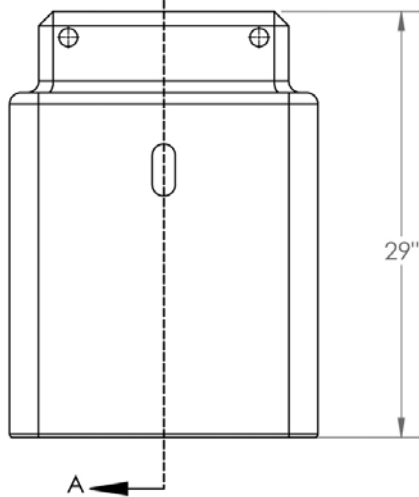
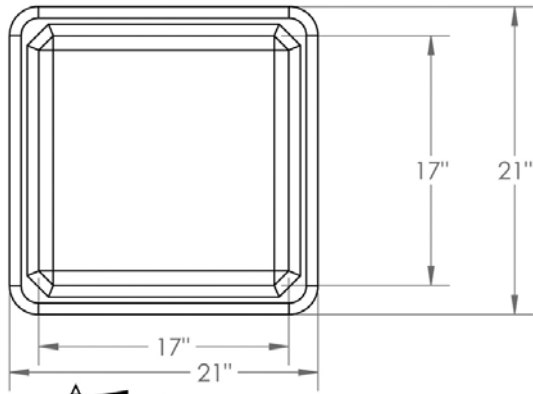


Helmet Insert 16" Square Long Diagram



Helmet Insert 16" Square **Long** Helmets

Inserts For Concrete Piles		
500516-L	16" Square	1,600 lbs. <i>Approx.</i>