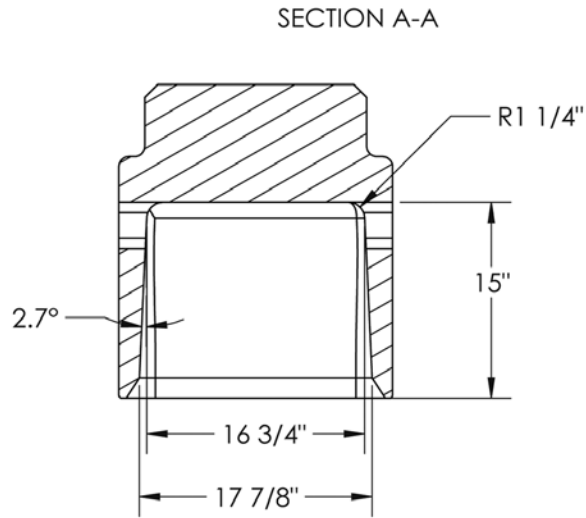
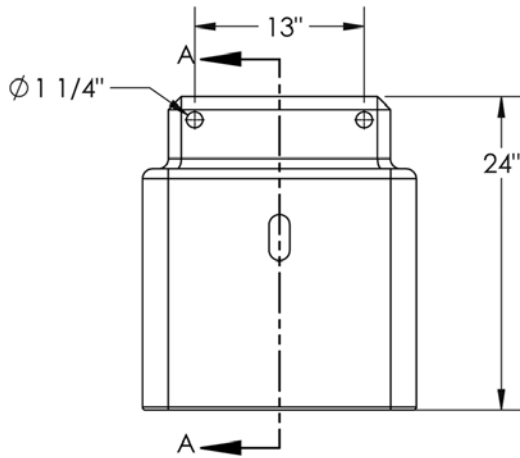
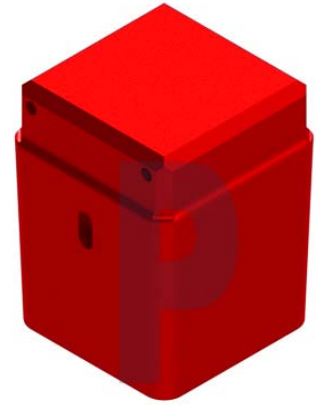
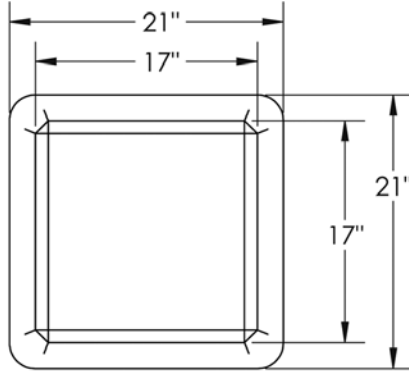


## Helmet Insert 16" Square Diagram



### Helmet Insert 16" Square Helmets

Inserts For Concrete Piles		
500516	16" Square	1,570 lbs. <i>Approx.</i>