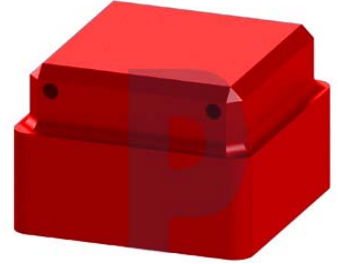
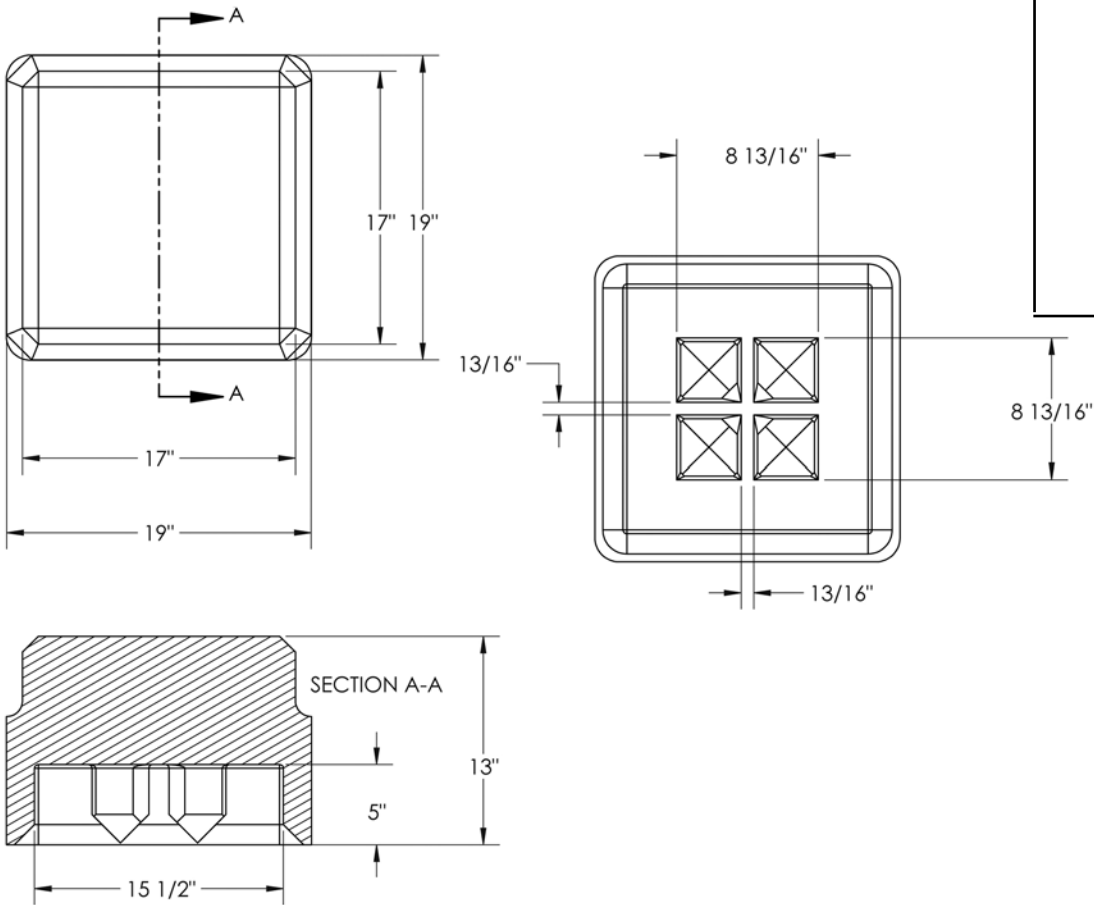


Helmet Inserts H-Piles Diagram



Helmet Insert For H-Piles

| Inserts For H-Piles | | |
|---------------------|---------------|-------------------------|
| 500515 | 10", 12", 14" | 890 lbs. <i>Approx.</i> |