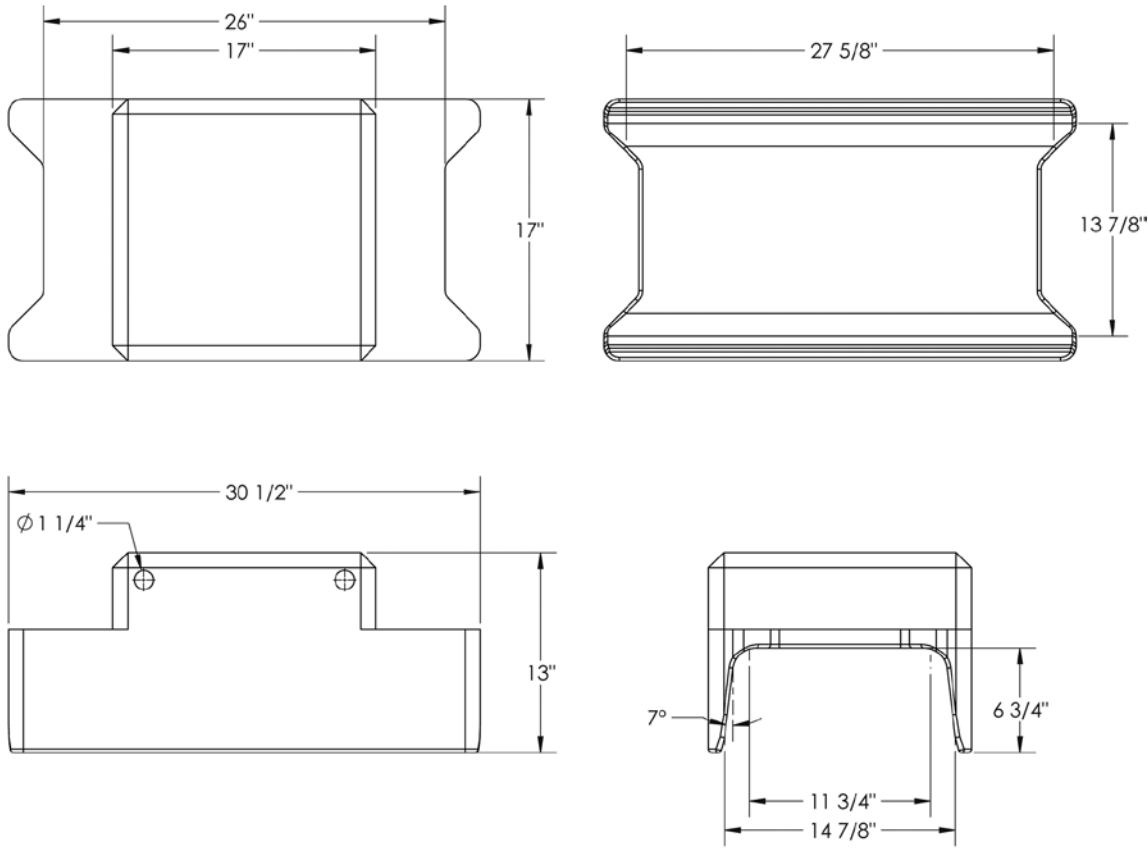
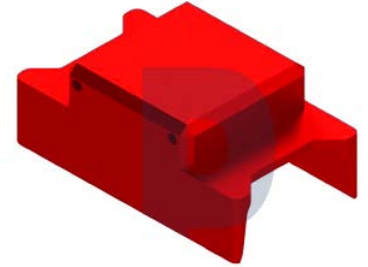


Helmet Inserts for Sheet Piles 30" Diagram



Helmet Insert Sheet Piles

Inserts For Sheet				
#	Length	Width	min. U-lead	Weight
500513	30.5"	13.5"	26.5" x 8"	870 lbs. <i>Approx.</i>