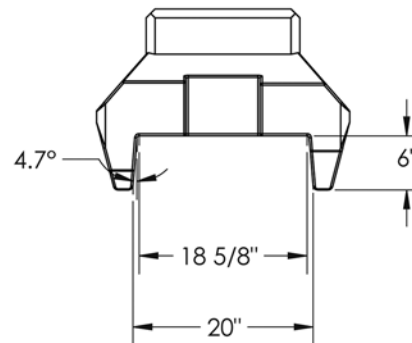
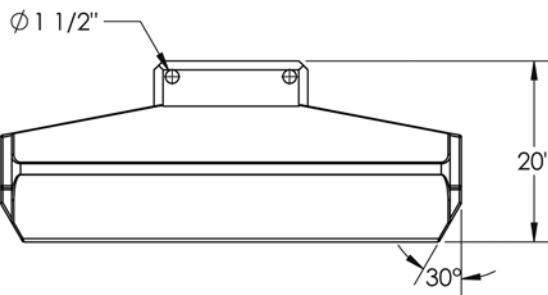
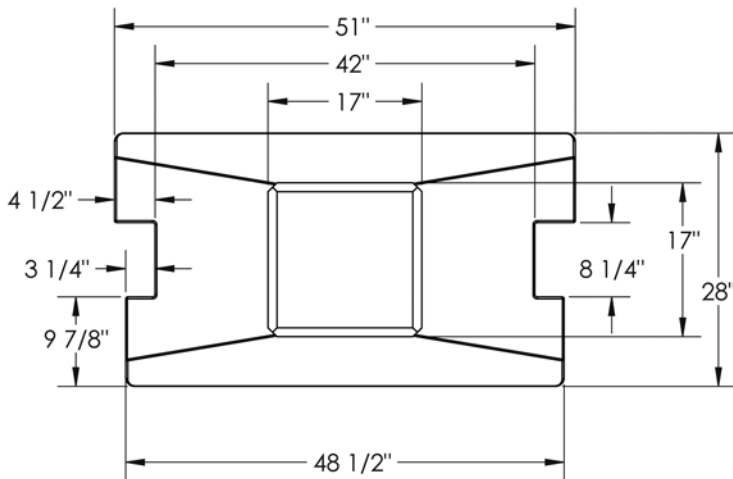
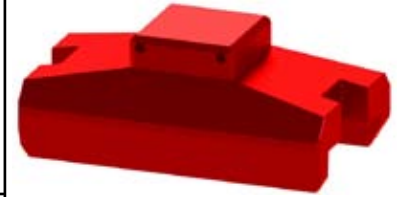


## Helmet Inserts for Sheet Piles 51" Diagram



### Helmet Insert Sheet Piles

Inserts For Sheet				
#	Length	Width	min. U-lead	Weight
500513-5	51"	19"	42.5" x 8"	3,550 lbs Approx.

**PILECO**

office (936)494-4200 • 1-800-409-0018 • fax (936)494-4201  
www.Pileco.com • 3321 E Davis St • Conroe, TX 77301