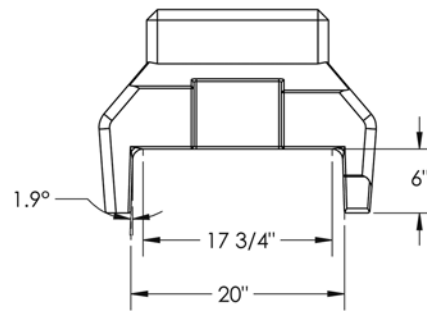
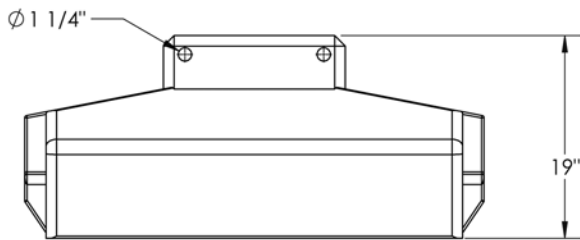
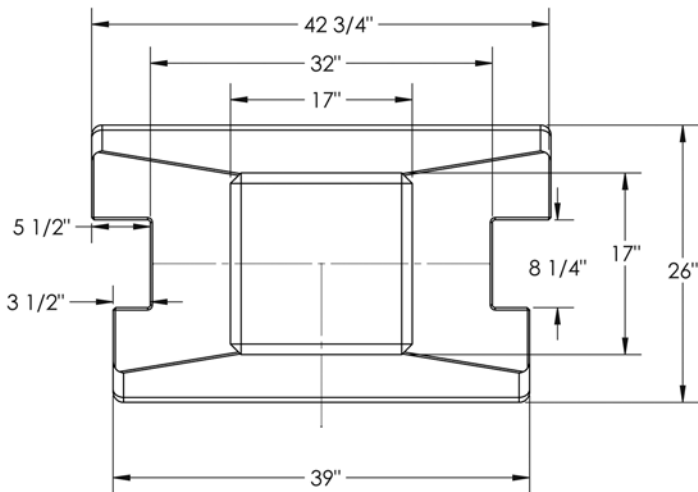
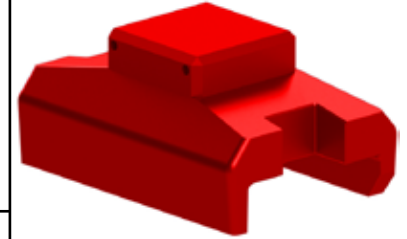


Helmet Inserts for Sheet Piles 43" /39" Diagram



Helmet Insert Sheet Piles

Inserts For Sheet				
#	Length	Width	min. U-lead	Weight
500513-4A	43"/39"	19.6"	32.5" x 8"	2,600 lbs. <i>Approx.</i>