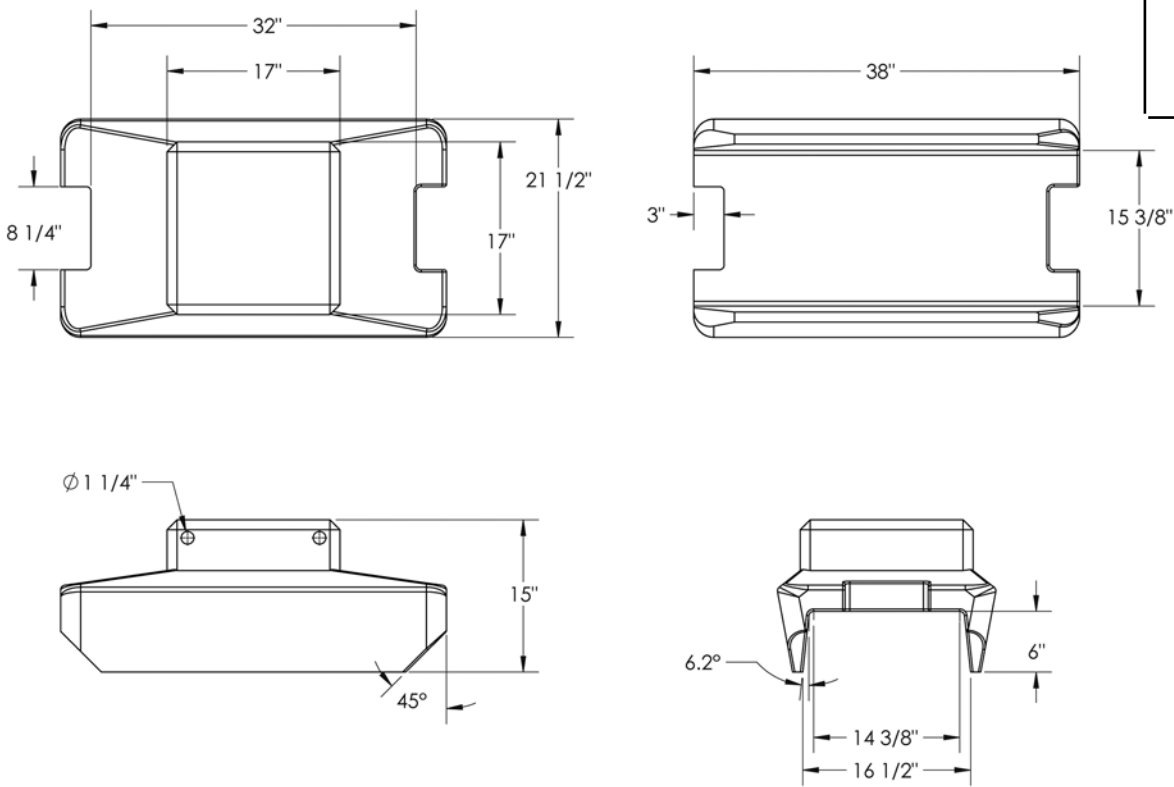


Helmet Inserts for Sheet Piles 38" Diagram



Helmet Insert Sheet Piles

Inserts For Sheet				
#	Length	Width	min. U-lead	Weight
500513-2	38"	16.5"	32.5" x 8"	2,600 lbs. <i>Approx.</i>

PILECO

office (936)494-4200 • 1-800-409-0018 • fax (936)494-4201
www.Pileco.com • 3321 E Davis St • Conroe, TX 77301