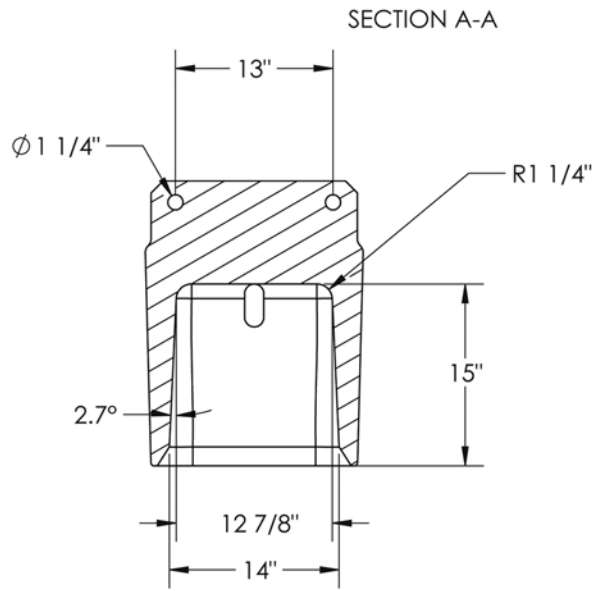
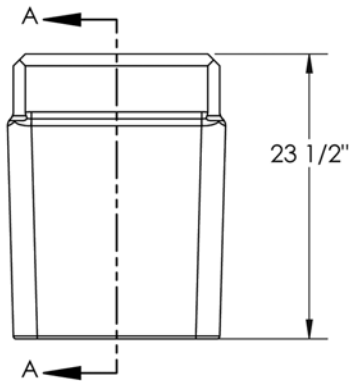
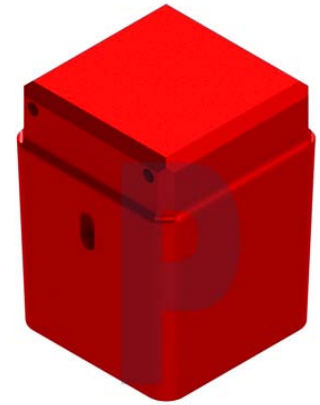
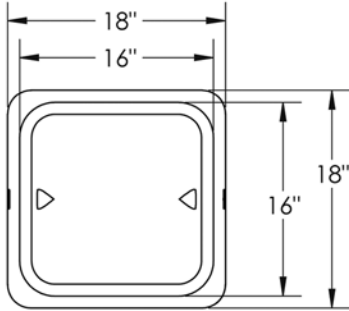


Helmet Insert 12" Square Diagram



Helmet Insert 12" Square Helmets

Inserts For Concrete Piles		
500512	12" Square	1,120 lbs. <i>Approx.</i>