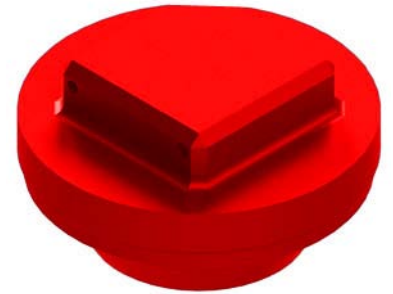
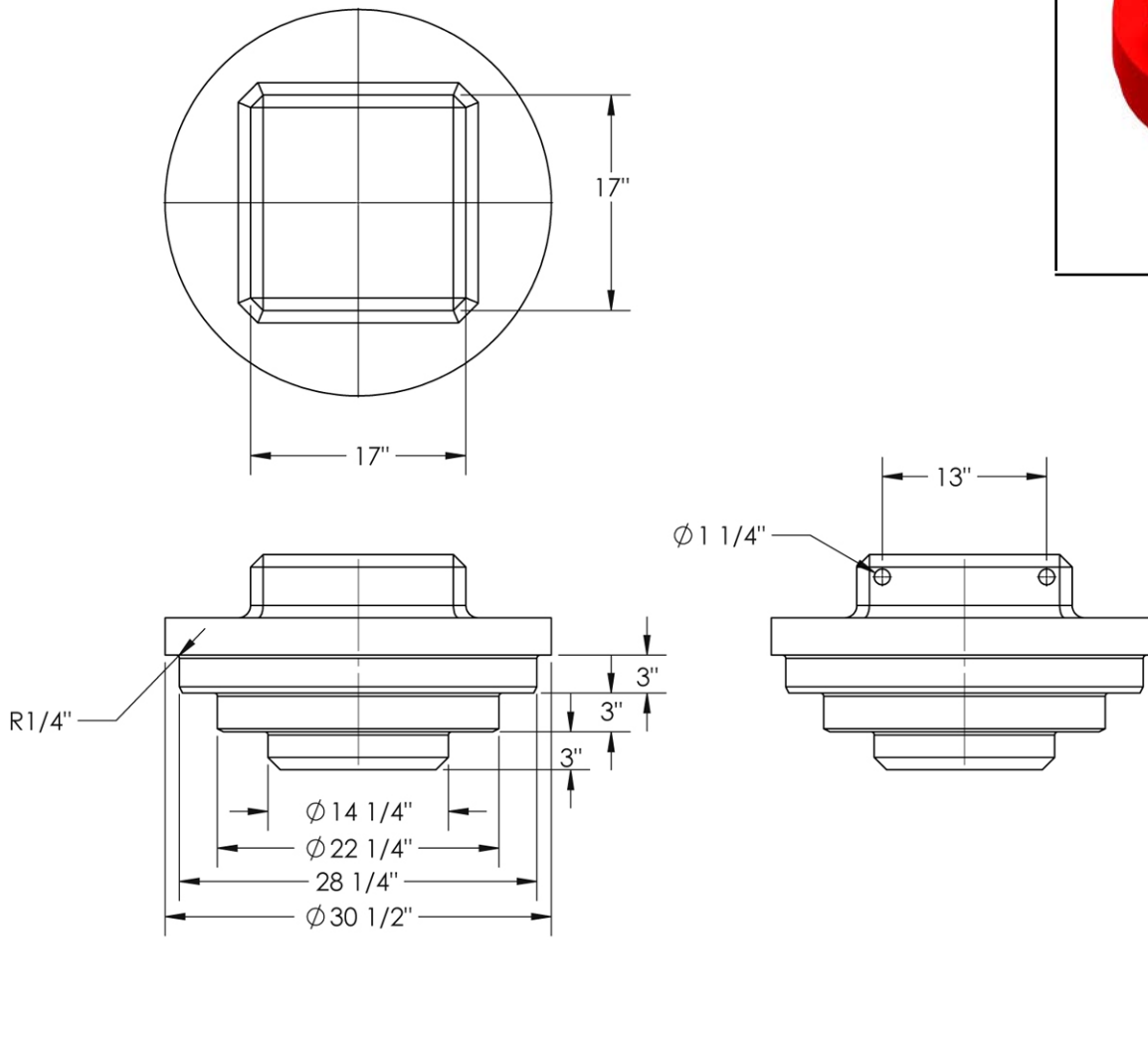


Helmet Inserts up to 30" Ø Pipe-Piles Diagram



Helmet Insert For Pipe-Piles

Inserts For Pipe-Piles		
500509-2	up to 30" Ø	2,210 lbs. <i>Approx.</i>