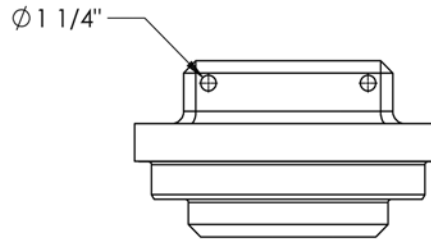
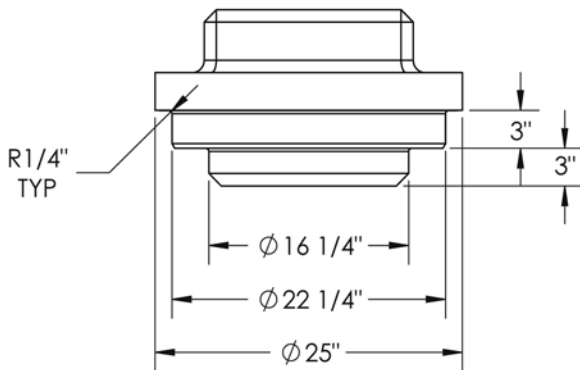
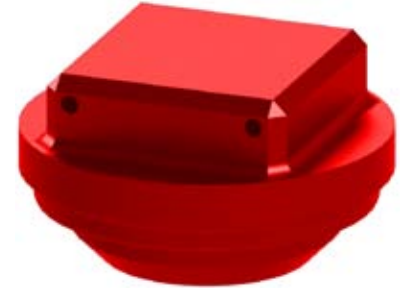
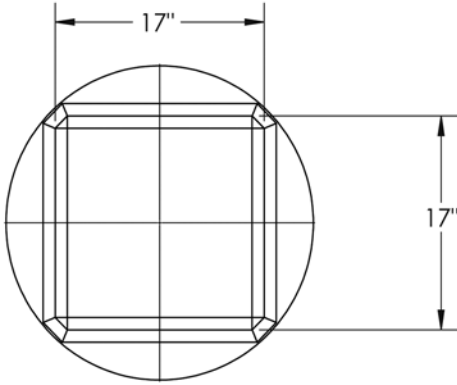


Helmet Inserts up to 24" Ø Pipe-Piles Diagram



Helmet Insert For Pipe-Piles

Inserts For Pipe-Piles		
500509-1	up to 24" Ø	1,380 lbs. Approx.