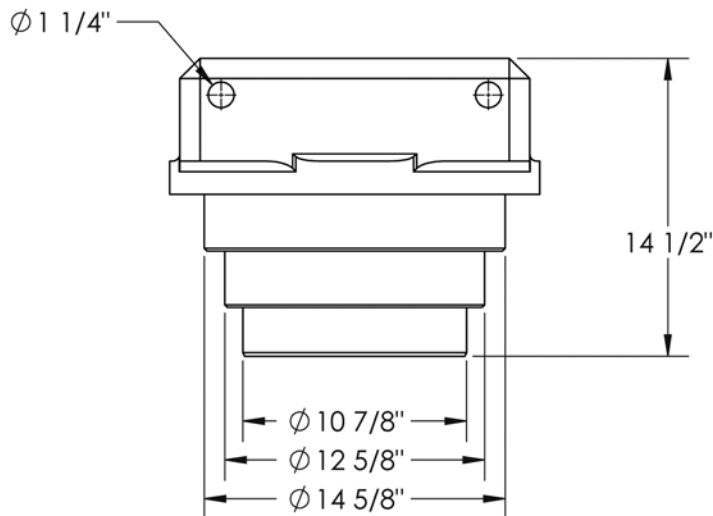
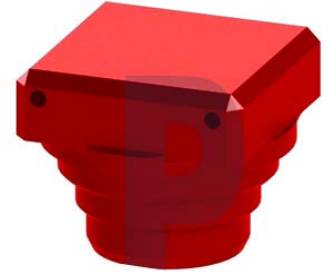
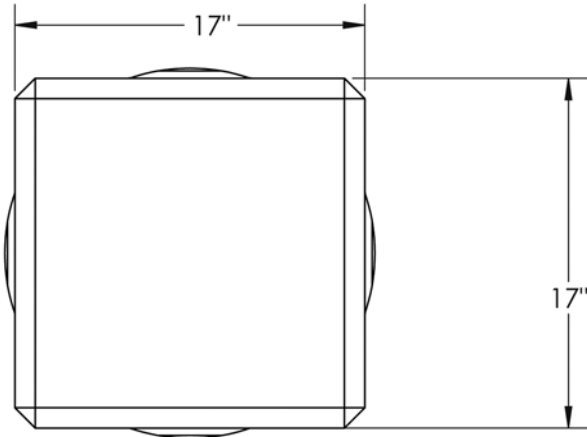


## Helmet Inserts up to 16" Ø Pipe-Piles Diagram



### Helmet Insert For Pipe-Piles

Inserts For Pipe-Piles		
500508-C	up to 16" Ø	760 lbs. <i>Approx.</i>