

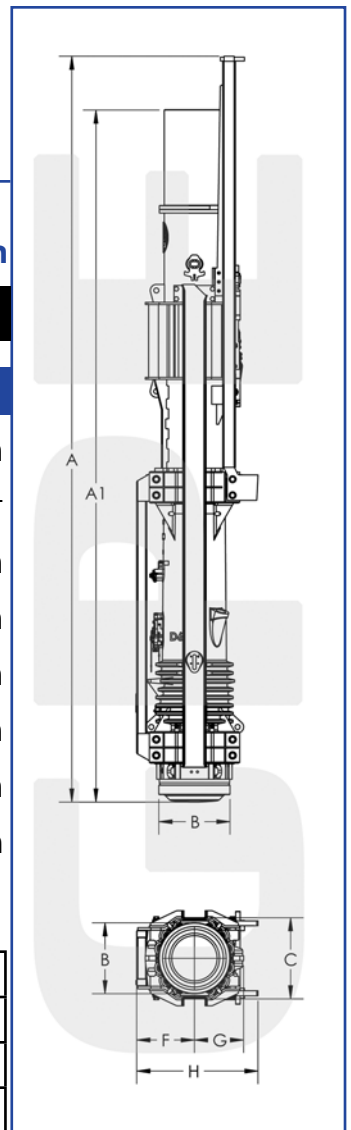


## Specifications: D 70-32 Diesel Pile Hammer

### Dimensions approx:

Length of Hammer:	A1	6764 mm	22' 2" ft/in
Hammer length w/starter guides:	A	7035 mm	24' ft
Outer diameter of impact block:	B	710 mm	2' 4" ft/in
Min. Guiding Width:	C	828 mm	2' 8.6" ft/in
Width of hammer:	D	762 mm	30" in
Hammer Center to Pump Guard:	F	490 mm	1' 7" ft/in
Hammer Center to Trip:	G	380 mm	1' 3" ft/in
Hammer Depth:	H	1334 mm	4' 4.5" ft/in

Pump Setting 1	150.5 kNm	110,634.3 ft.lbs.
Pump Setting 2	154.9 kNm	113,909 ft.lbs.
Pump Setting 3	194.8 kNm	143,249 ft.lbs.
Pump Setting 4	234.7 kNm	172,589.5 ft.lbs.



### Weights approx:

Weight of diesel pile hammer approx.:	17.18 US tons	34,357 lbs
Weight of piston approx.:	7000 kg	15,432 lbs
Impact Block approx.:	1100 kg	2,425 lbs
Tripping device approx.:	470 kg	1,036 lbs
Tool box approx.:	125 kg	275.6 lbs

### Energy per blow

Max:	234.7 kNm	172,589.5 ft lbf
Min:	150.5 kNm	110,634.3 ft lbf
Number of blows:		36–45 min

### Batter Info

Max. gradient of batter pile driven:	1:2
--------------------------------------	-----

### Consumption

Diesel fuel:	23 L hr.	6 gph
Lubrication oil:	3.2 L hr.	0.85 gph

### Volume

Diesel oil tank:	98 L	25.8 gal
Lube tank:	31.5 L	8.3 gal