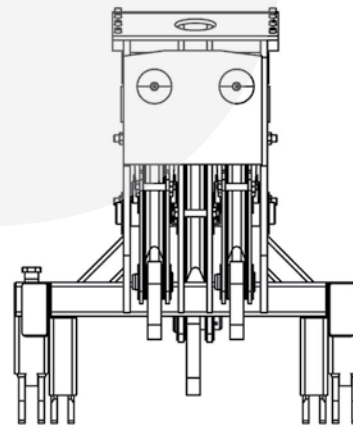
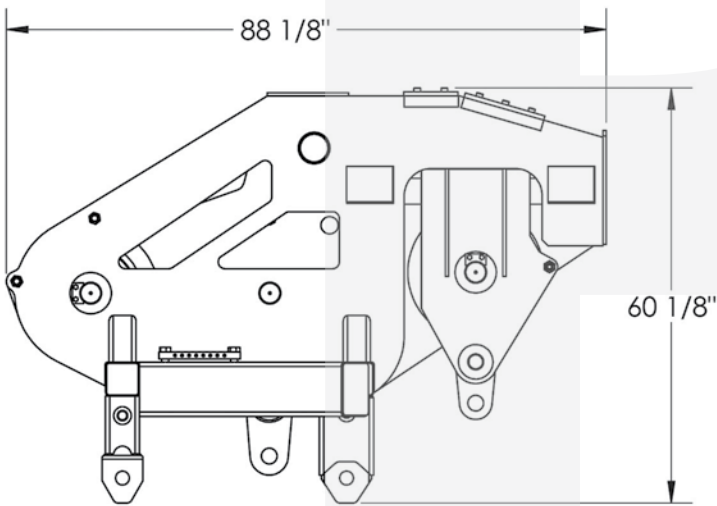
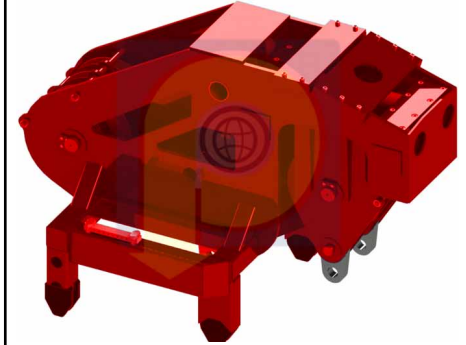
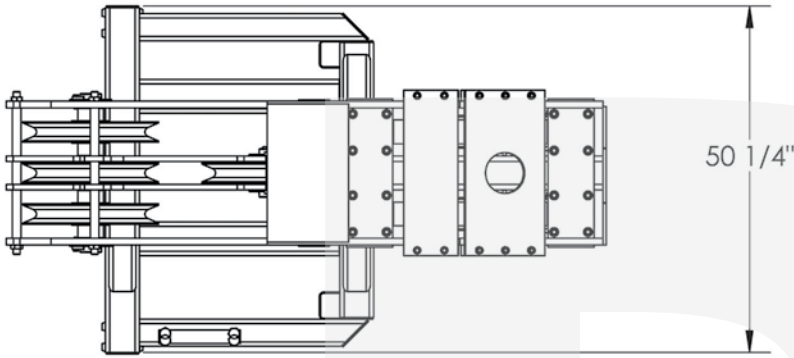
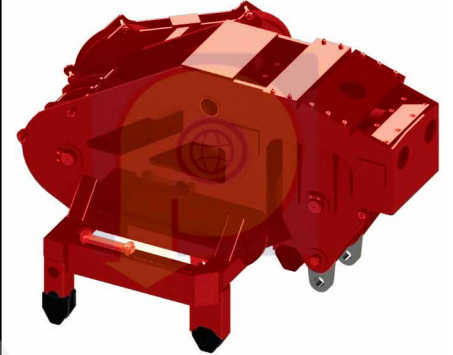
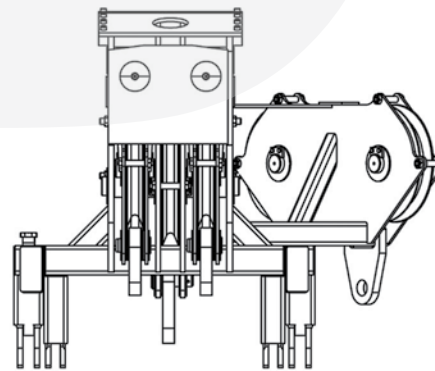
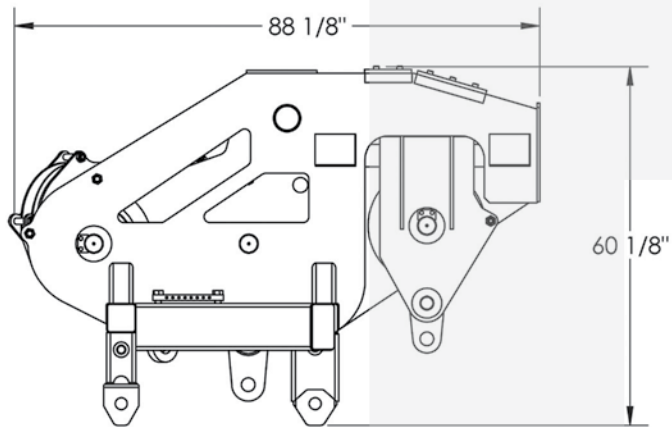
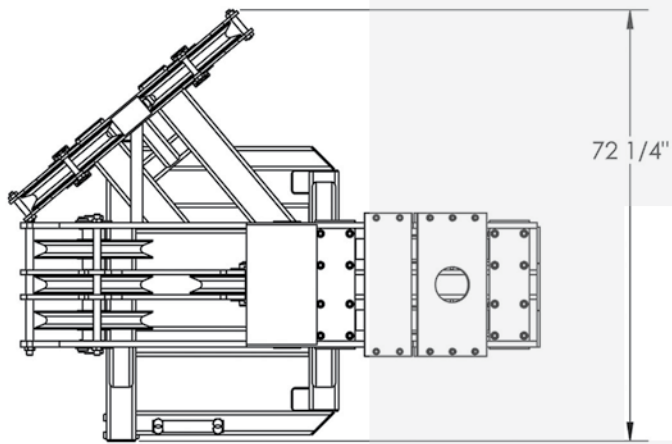

Single Line HeadBlock(1 Part) U-32

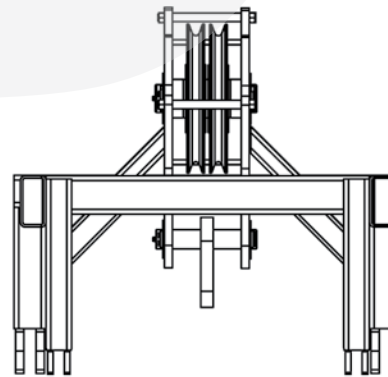
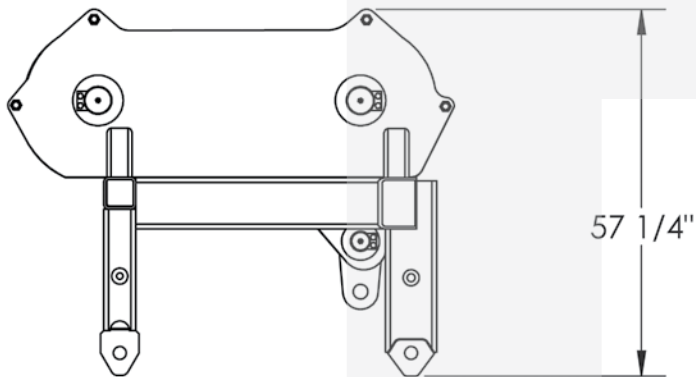
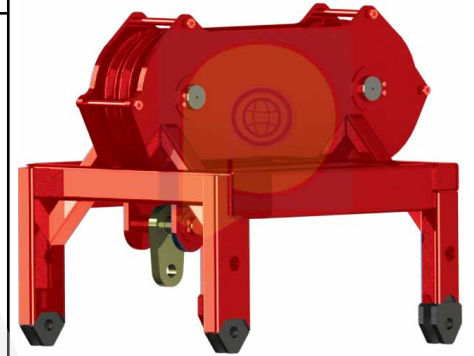
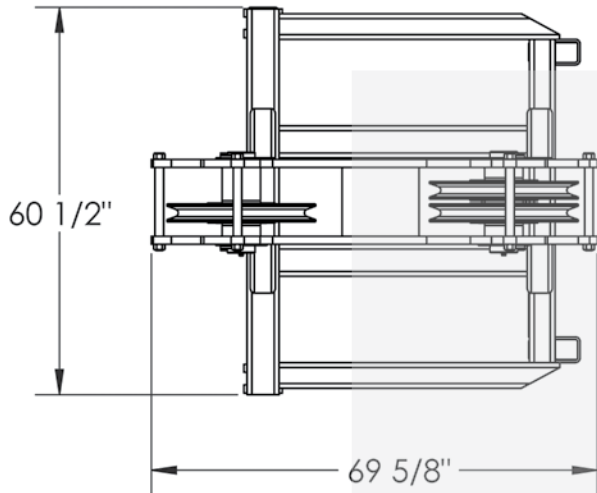
1032-1	for U-32	2,330 lbs
--------	----------	-----------


3-Line HeadBlock U-32 with Revolving FairLeads

1032-3	for U-32	4,723 lbs
--------	----------	-----------


4-Line HeadBlock U-32 with Revolving FairLeads and Auger Brackets

1032-4-AB	for U-32	5,370 lbs
-----------	----------	-----------


Single Line HeadBlock (2 Part) U-42

1042-2	for U-42	lbs
--------	----------	-----